

N SCALE SIGNAL TOWER KIT

ITEM #2840

IMPORTANT - READ THIS FIRST

1. Before beginning assembly, please read through the directions to familiarize yourself with all the parts and their proper location. Part numbers correspond to the circled numbers on the drawings.

2. This Atlas N Scale model is molded in appropriate colors and will assemble into a very attractive model without need for additional painting. However, should you wish to customize some or all of the parts, painting should be done before assembly. Some of the detail parts are most easily painted before removal from the molding sprue to which they are attached. Remove paint from any mating surfaces prior to assembly.

3. Check the fit of all mating pieces and trim away any flash using a modeler's knife. Use the knife or a sprue cutter to remove the parts from the molding sprue.

4. Apply cement sparingly and only to inside surfaces. We recommend using liquid plastic-compatible cement applied with a small brush.

5. Take your time, follow the lettered steps in order and you will be rewarded with what we feel is a very attractive structure.

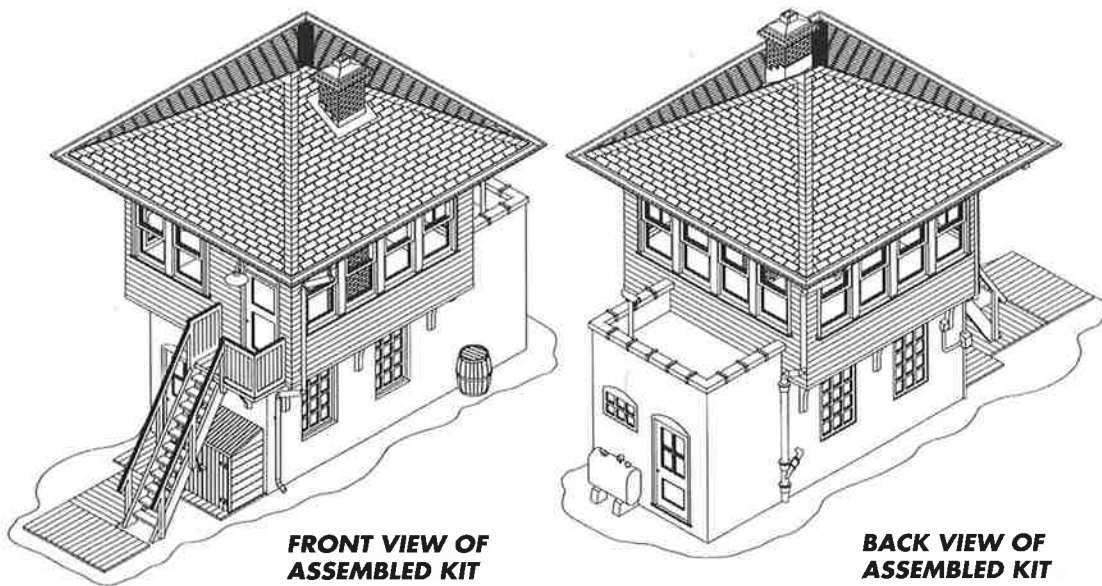
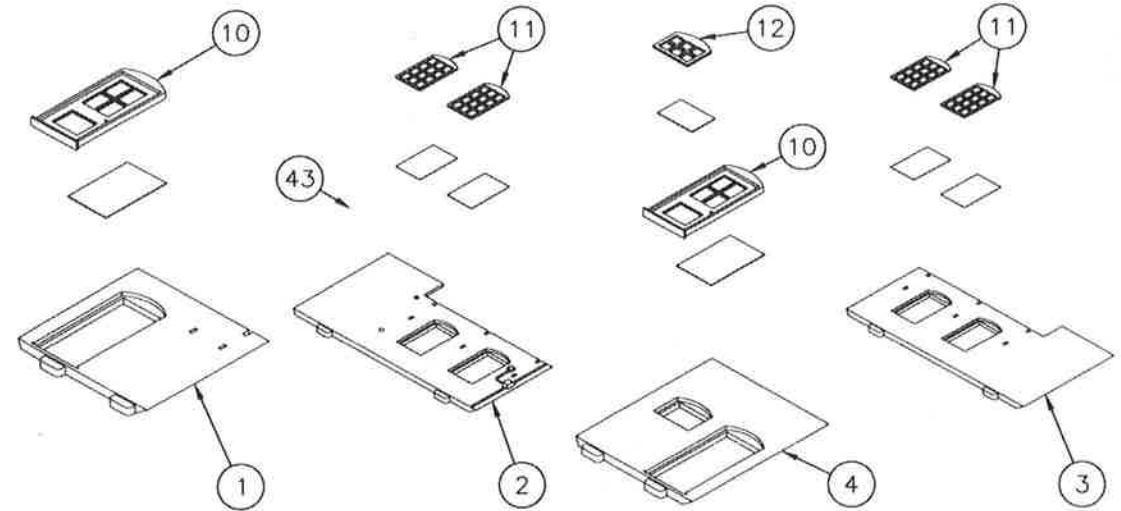


FIGURE 1



A. As shown in FIG. 1, install DOORS 10 and WINDOWS 11, 12 into first floor WALLS 1, 2, 3, 4. Use glue sparingly. The clear window inserts are most easily installed on the back of the window frames after the frames have been cemented to the walls. The window inserts can be attached to the window frames with Microscale Kristal Klear.

FIGURE 2

B. Using the alignment holes in BASE 5 as a guide, assemble the first floor walls as shown. While holding two of the mitered edges in alignment, run a light bead of cement along their inside corners. Repeat for remaining walls.

C. Install FLOOR 6 on the assembled walls, using the locating tabs. Apply a small amount of glue to each tab.

D. Cement INNER WALL 7 to REAR WALL 4 and INNER WALLS 8 to each of SIDE WALLS 2 and 3. Be careful to align mitered corners carefully.

E. Run a light bead of cement around the inner surface of COPING 9 and then press it in place on the raised section of WALLS 2, 3, 4.

F. Cement BRACE 13 in place under the upper stair landing.

G. Cement three BRACES 15 on each of SIDE WALLS 2 and 3. Use cement sparingly.

H. Cement CHIMNEY HALVES 23 together and install on FLOOR 6.

I. Install VENT PIPE 33.

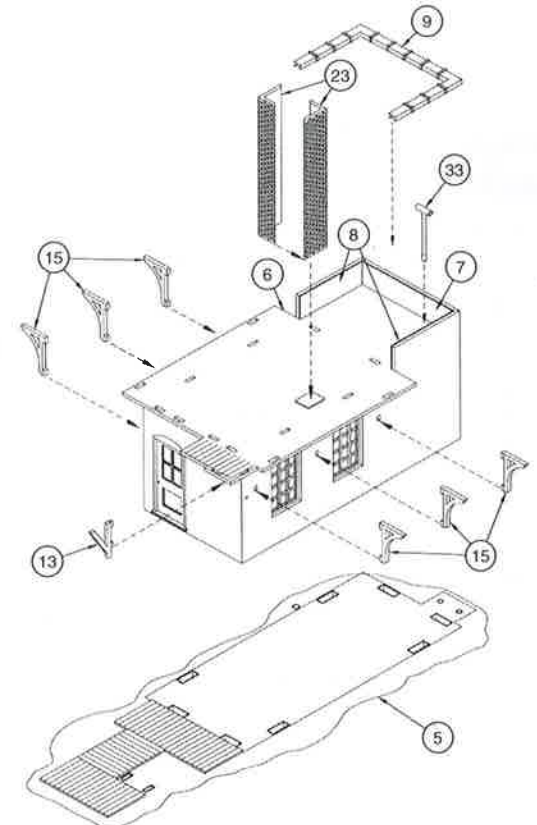
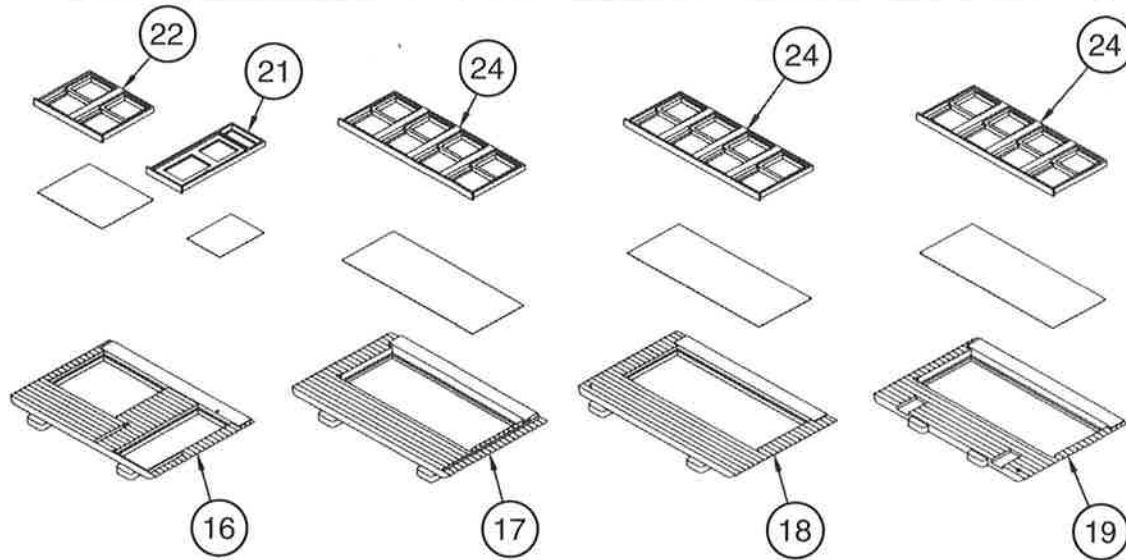


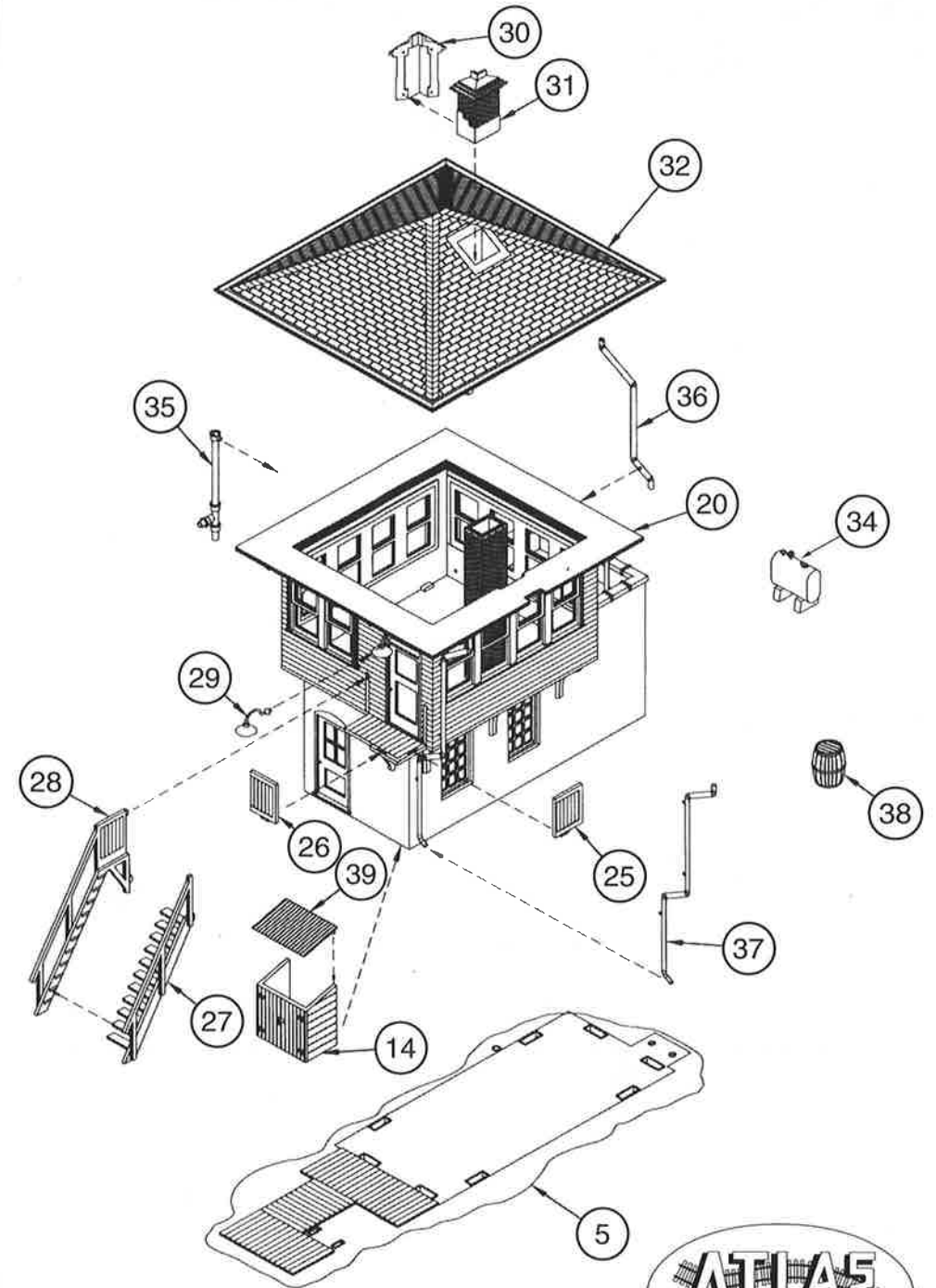
FIGURE 3

J. As shown in FIG. 3, install DOOR 21 and WINDOWS 22, 24 into second story WALLS 16, 17, 18, 19. Install window inserts as in STEP A. Make certain that the printed side of the window material faces inward and that the window shades are toward the top edge.

FIGURE 4

K. Using the outer alignment holes in FLOOR 6 as a guide, assemble the second floor walls as shown. Use same technique as in STEP B. Please note location of drain pipes and electrical conduits. Holes in second floor walls must align with those in first floor.

- L.** Run a light bead of cement along the top of the four walls and install EAVES FRAME 20. NOTE: notch in EAVES FRAME must be on side closest to the chimney.
- M.** Install SOIL PIPE 35 and DOWN SPOUTS 36, 37 as shown.
- N.** Cement TOOL LOCKER ROOF 39 to TOOL LOCKER 14. Suggested location is under the second floor landing.
- O.** Cement PORCH SIDE RAILING 25 in place, as shown.
- P.** Cement PORCH FRONT RAILING 26 in place, as shown.
- Q.** Cement STAIRWAY 27 to RAILING 28 and allow to dry. Then carefully cement the stairway to the previously completed assembly.
- R.** Install LIGHT FIXTURE 29 over second story doorway, cementing from the inside.
- S.** Cement FUEL TANK 34 to the base at the rear of the building using the locating holes.
- T.** Cement together CHIMNEY HALVES 30, 31; then cement the chimney into the opening in ROOF 32.
- U.** Run a light bead of cement inside of ROOF 32 and place on EAVES FRAME.
- V.** BARRELS 38 may be placed at your discretion.



640-PI 2840R1

378 FLORENCE AVENUE • HILLSIDE, NJ 07205 • USA

