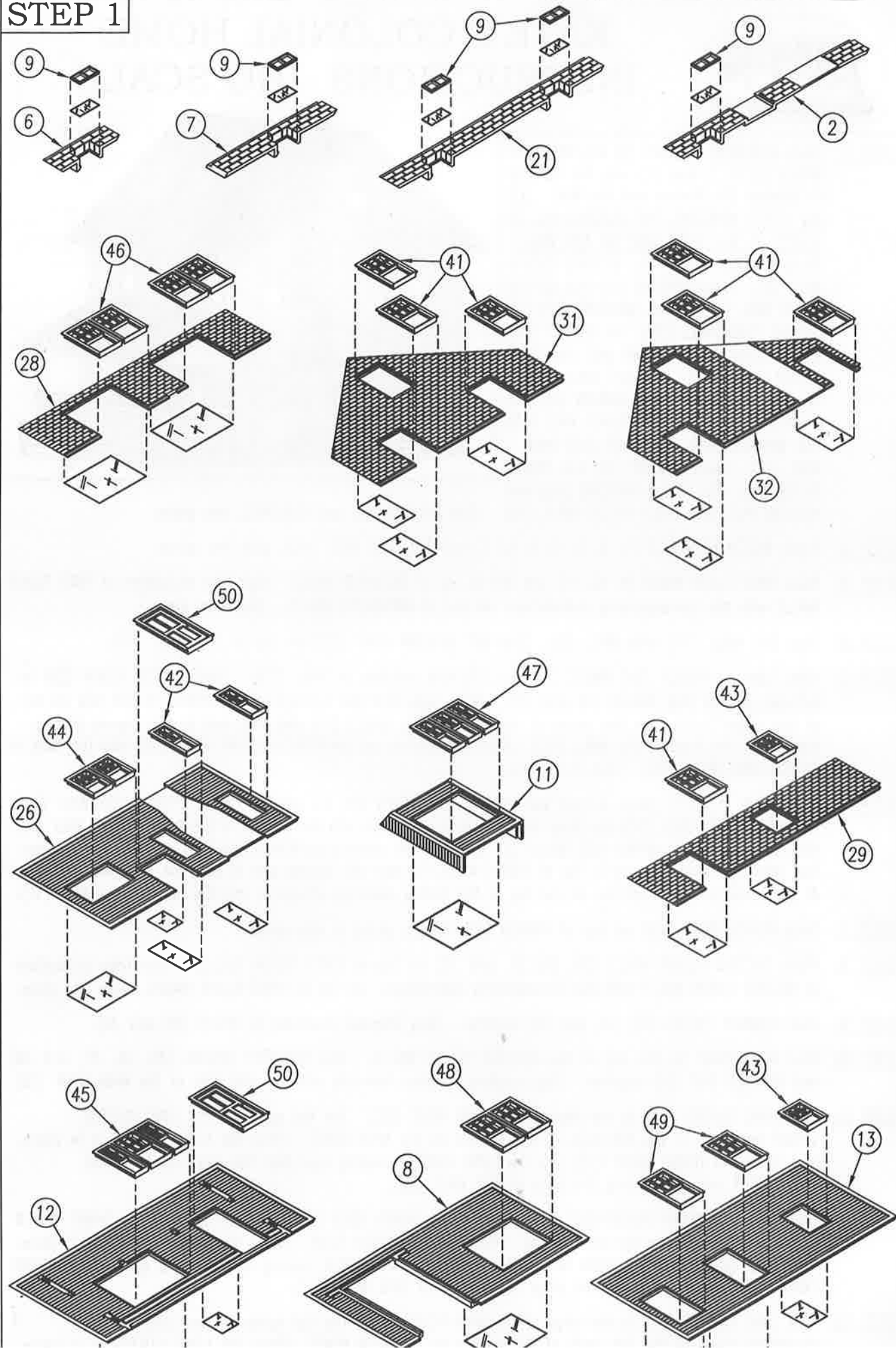
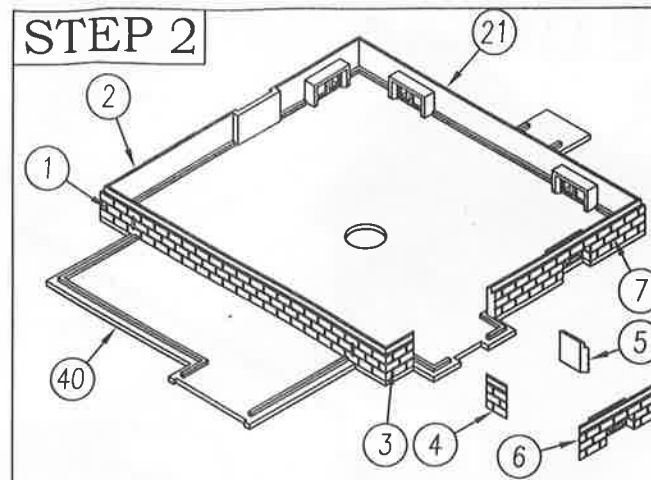


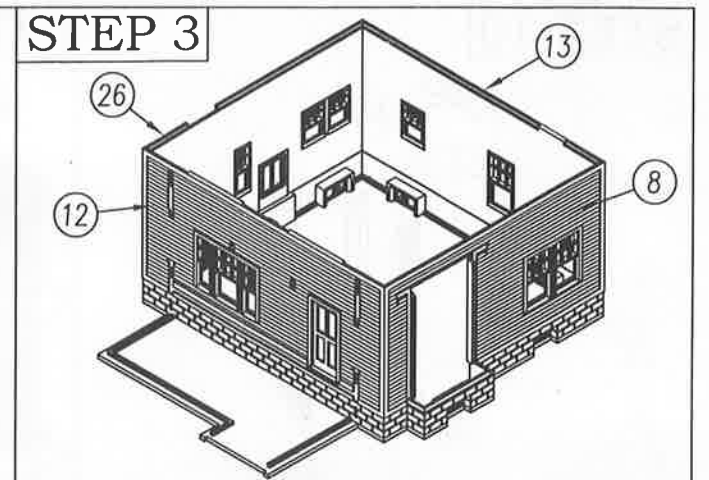
STEP 1



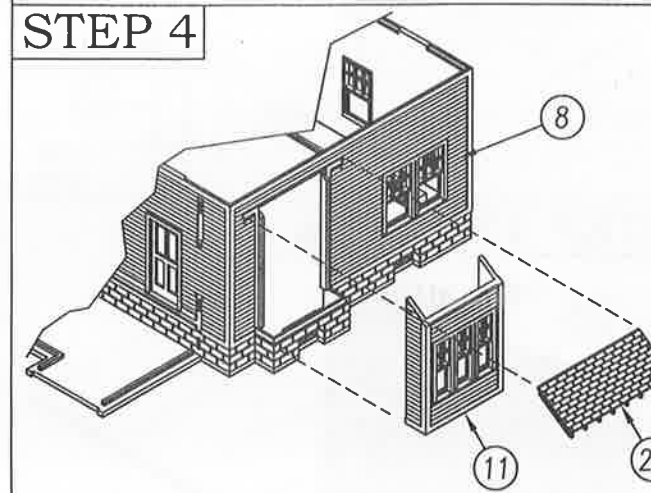
STEP 2



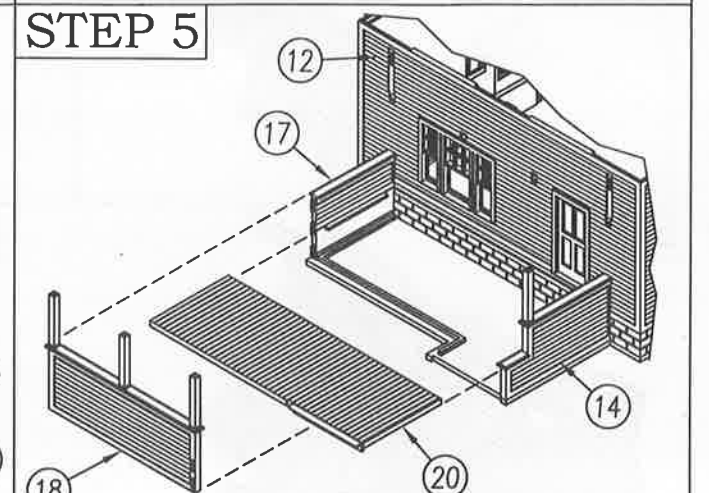
STEP 3



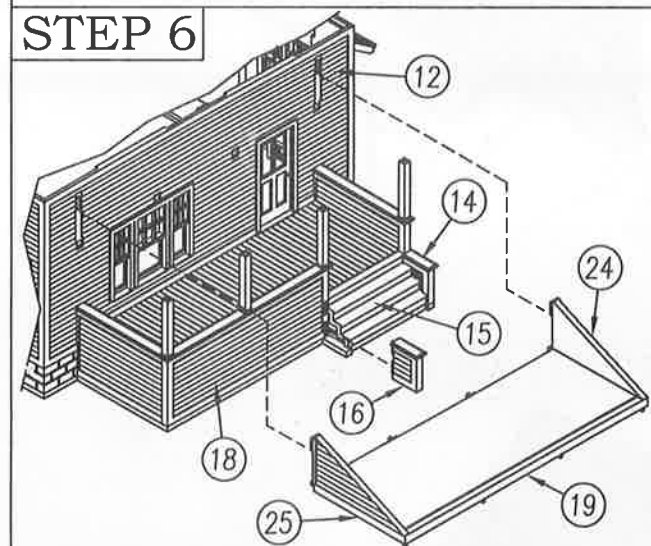
STEP 4



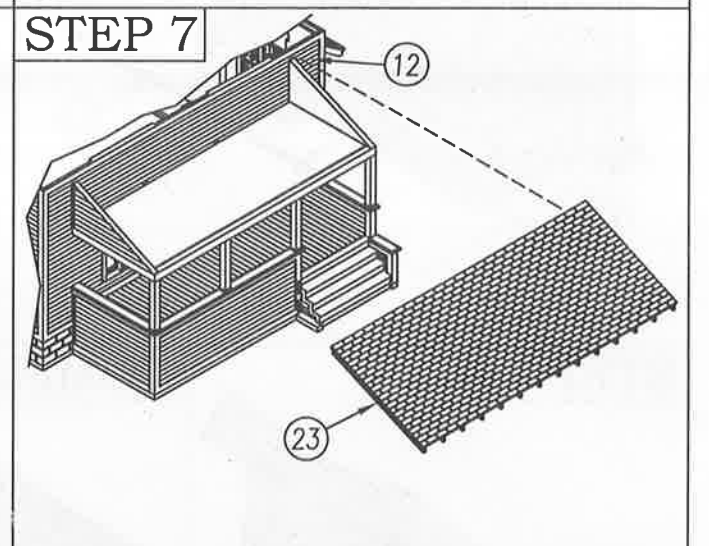
STEP 5



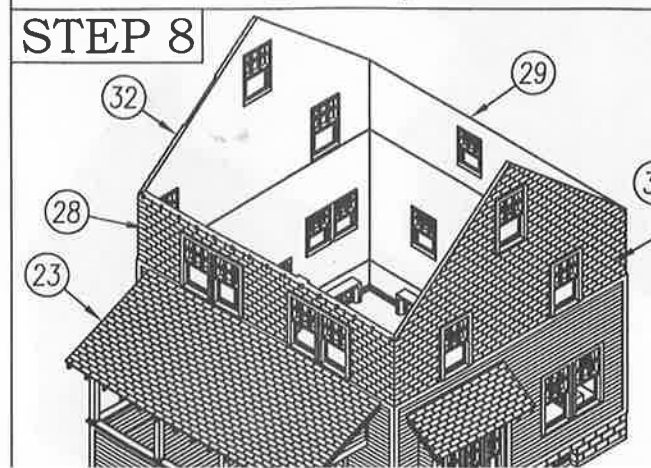
STEP 6



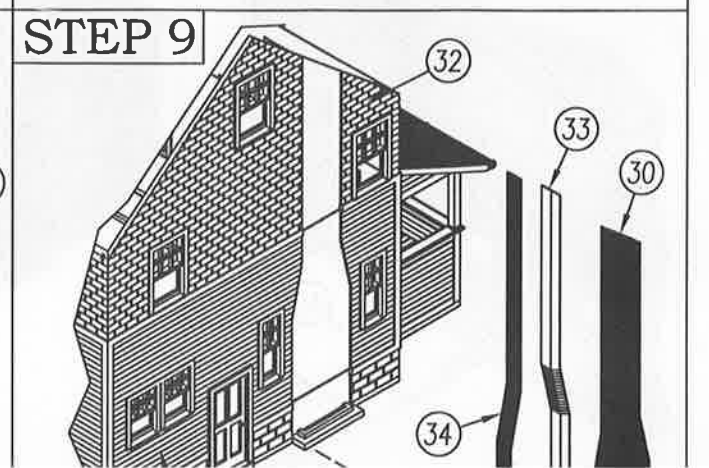
STEP 7



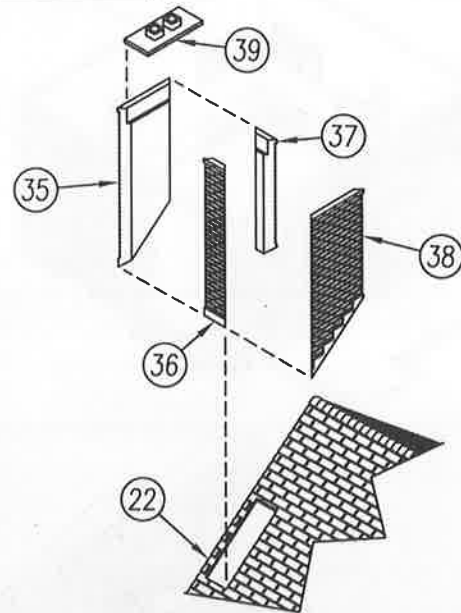
STEP 8



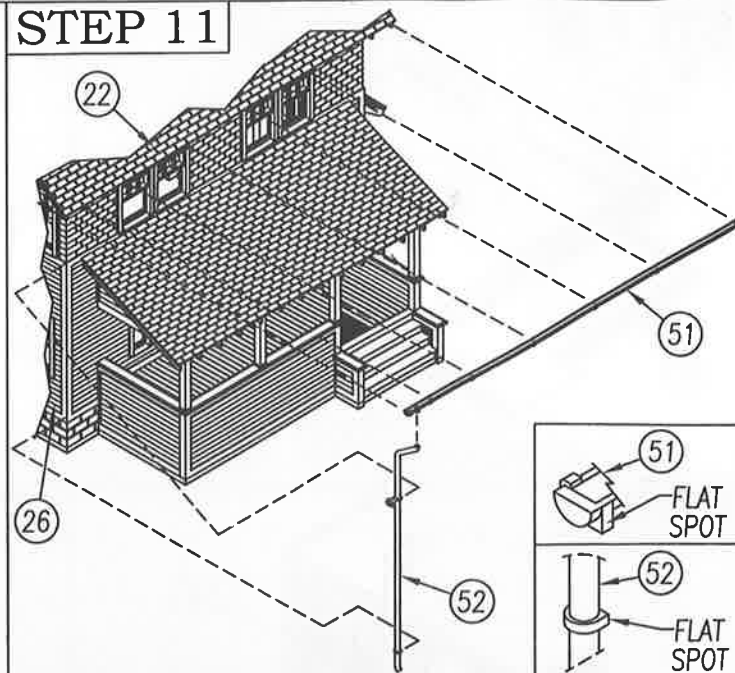
STEP 9



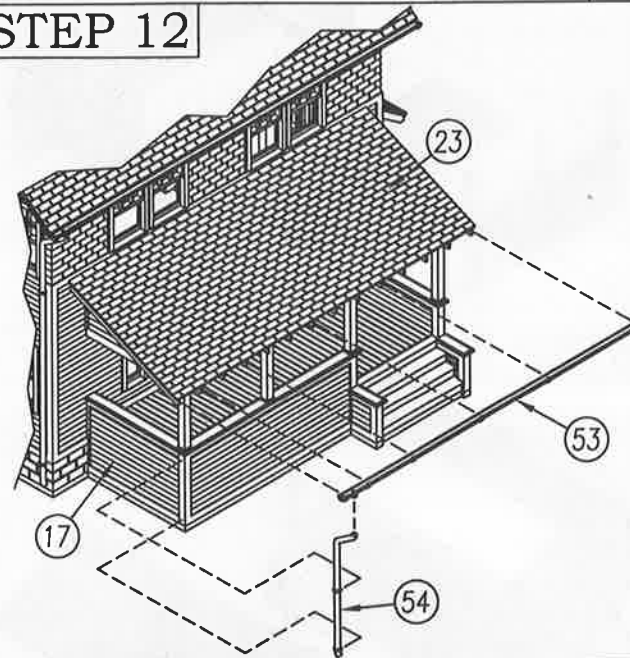
STEP 10



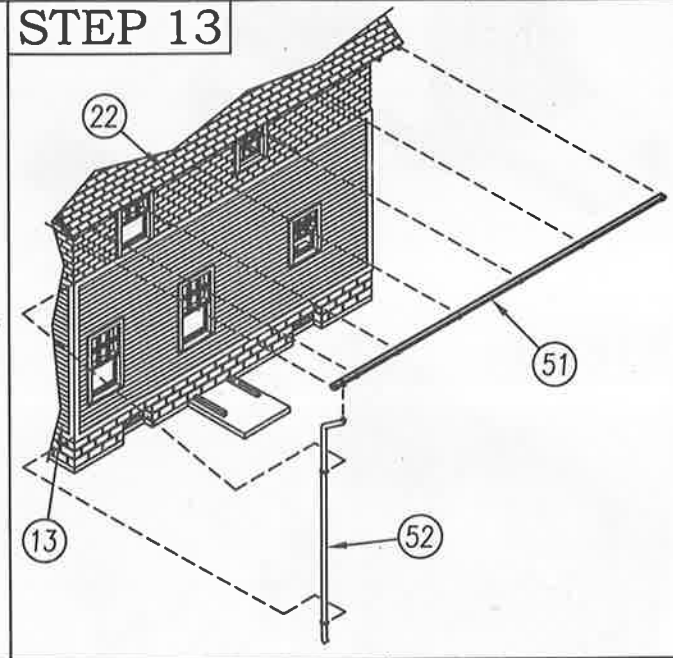
STEP 11



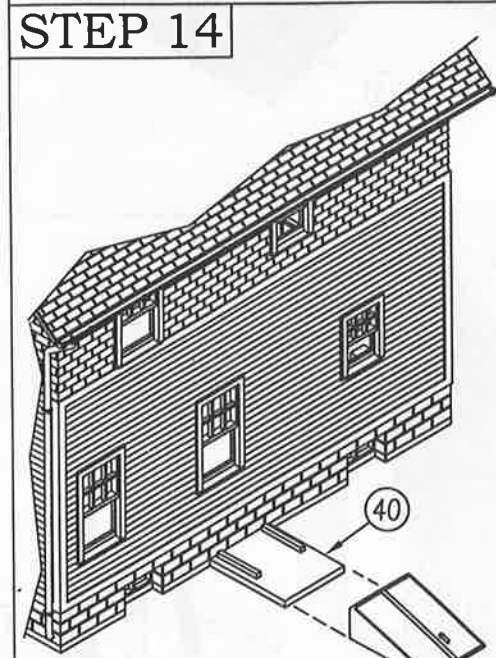
STEP 12



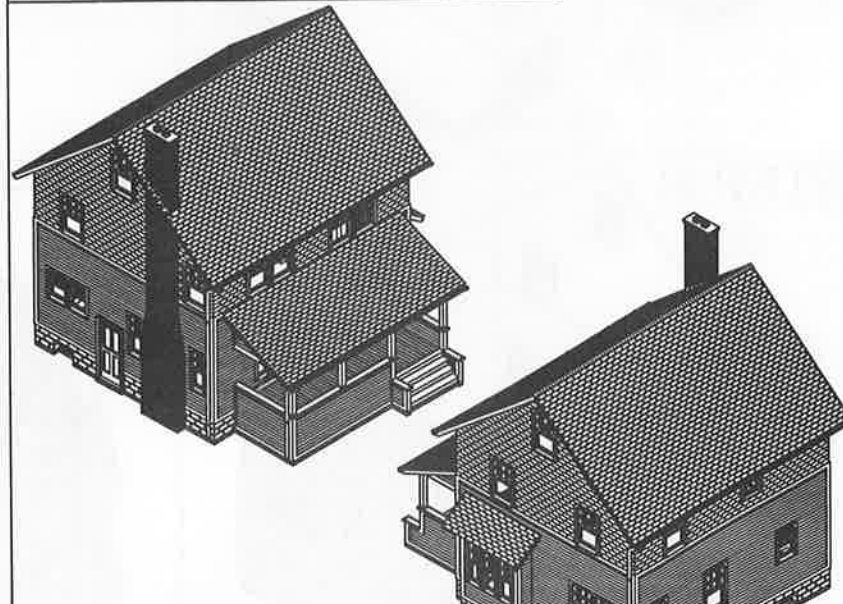
STEP 13



STEP 14



COMPLETED MODEL



KATE'S COLONIAL HOME INSTRUCTIONS - HO SCALE

ITEM 711



STEP 1: Place BASEMENT WINDOWS (9) into BASEMENT WALLS (2, 6, 7, and 21) with the GLAZING in between the Window and the Wall. FOR ALL OTHER WINDOWS, THE GLAZING WILL BE GLUED TO THE REAR SIDE OF THE WALLS. Place WINDOWS (46) into SECOND FLOOR WALL (28). Place WINDOWS (41) into SECOND FLOOR WALL (31). Place WINDOWS (41) into SECOND FLOOR WALL (32). Put DOOR 1 (50), WINDOW (44), and WINDOWS (42) into FIRST FLOOR WALL (26). Put BAY WINDOW (47) into BAY WALL (11). Put WINDOW (41) and WINDOW (43) into SECOND FLOOR WALL (29). Put WINDOW (45) and DOOR (50) into WALL (12). Insert WINDOW (48) into FIRST FLOOR WALL (8). Place WINDOWS (49) and WINDOW (43) into FIRST FLOOR WALL (13). Glue all WINDOWS and GLAZINGS into place.

STEP 2: Place BASEMENT WALLS (1, 2, 3, 4, 5, 6, 7, and 21) onto BASE (40), glue into place.

STEP 3: Place FIRST FLOOR WALLS (8, 12, 13, and 26) on top of BASEMENT WALLS. Align Tabs on bottom of FIRST FLOOR WALLS with the corresponding indentations on top of BASEMENT WALLS. Glue into place.

STEP 4: Glue BAY WALL (11) onto WALL (8). Glue BAY WINDOW ROOF (27) on top of BAY WALL (11).

STEP 5: Align Tabs on PORCH SIDE WALLS (14 and 17) with notches on WALL (12). Slide PORCH FLOOR (20) in between PORCH SIDE WALLS (14 and 17). Make sure that the bottom of the PORCH FLOOR lies on top of the ridges located on the inside of the PORCH SIDE WALLS (14 and 17), and in the groove that is located on the front of the WALL (12). Align the notches on the PORCH FRONT WALL (18) with the tabs on PORCH SIDE WALL (17). Glue into place.

STEP 6: Glue STEPS (15) into place, making sure to align the STEPS with the notches on the PORCH SIDE WALL (14). Glue PORCH STEP WALL (16) into place making sure to align tabs with the notches in the PORCH FRONT WALL (18). Align Tabs on PORCH UPPER SIDE WALLS (24 and 25) with notches on PORCH CEILING (19) and glue together. Glue resulting Ceiling Assembly to top of PORCH WALLS (14 and 18), making sure to align the pegs with the holes. At the same time, the notches at the top of the Ceiling Assembly should fit into the slots in the WALL (12).

STEP 7: Slide PORCH ROOF (23) on top of PORCH SIDE WALLS, gluing it into place.

STEP 8: Place SECOND FLOOR WALLS (28, 29, 31, and 32) on top of FIRST FLOOR WALLS. Align Tabs on bottom of SECOND FLOOR WALLS with the corresponding indentations on top of FIRST FLOOR WALLS. Glue into place.

STEP 9: Glue CHIMNEY PIECES (30, 33, and 34) together. Glue Chimney Assembly to WALLS (26 and 32).

STEP 10: Glue MAIN ROOF to the top of the SECOND FLOOR WALLS. Glue CHIMNEY PIECES (35, 36, 37, and 38) and CHIMNEY CAP (39) together. Glue resulting Chimney Assembly onto the flat area of the MAIN ROOF (22).

STEP 11: Glue LONG GUTTER (51) to the edge of the MAIN ROOF (22). The flat spots on the LONG GUTTER should be glued to the flat ends of the rafters on the MAIN ROOF. Once the LONG GUTTER is in place, glue the LONG DOWN SPOUT (52) into the LONG GUTTER, making sure that flat spots on the LONG DOWNSPOUT are glued along the edge of the WALL (26).

STEP 12: CAREFULLY glue SHORT GUTTER (53) to the edge of the PORCH ROOF (23). The flat spots on the SHORT GUTTER should be glued to the flat ends of the rafters on the PORCH ROOF. Once the SHORT GUTTER is in place, CAREFULLY glue the SHORT DOWN SPOUT (54) into the LONG GUTTER, making sure that flat spots of the SHORT DOWNSPOUT are glued along the edge of the PORCH SIDE WALL (17).

STEP 13: Glue LONG GUTTER (51) to the edge of the MAIN ROOF (22). The flat spots on the LONG GUTTER should be glued to the flat ends of the rafters on the MAIN ROOF. Once the LONG GUTTER is in place,