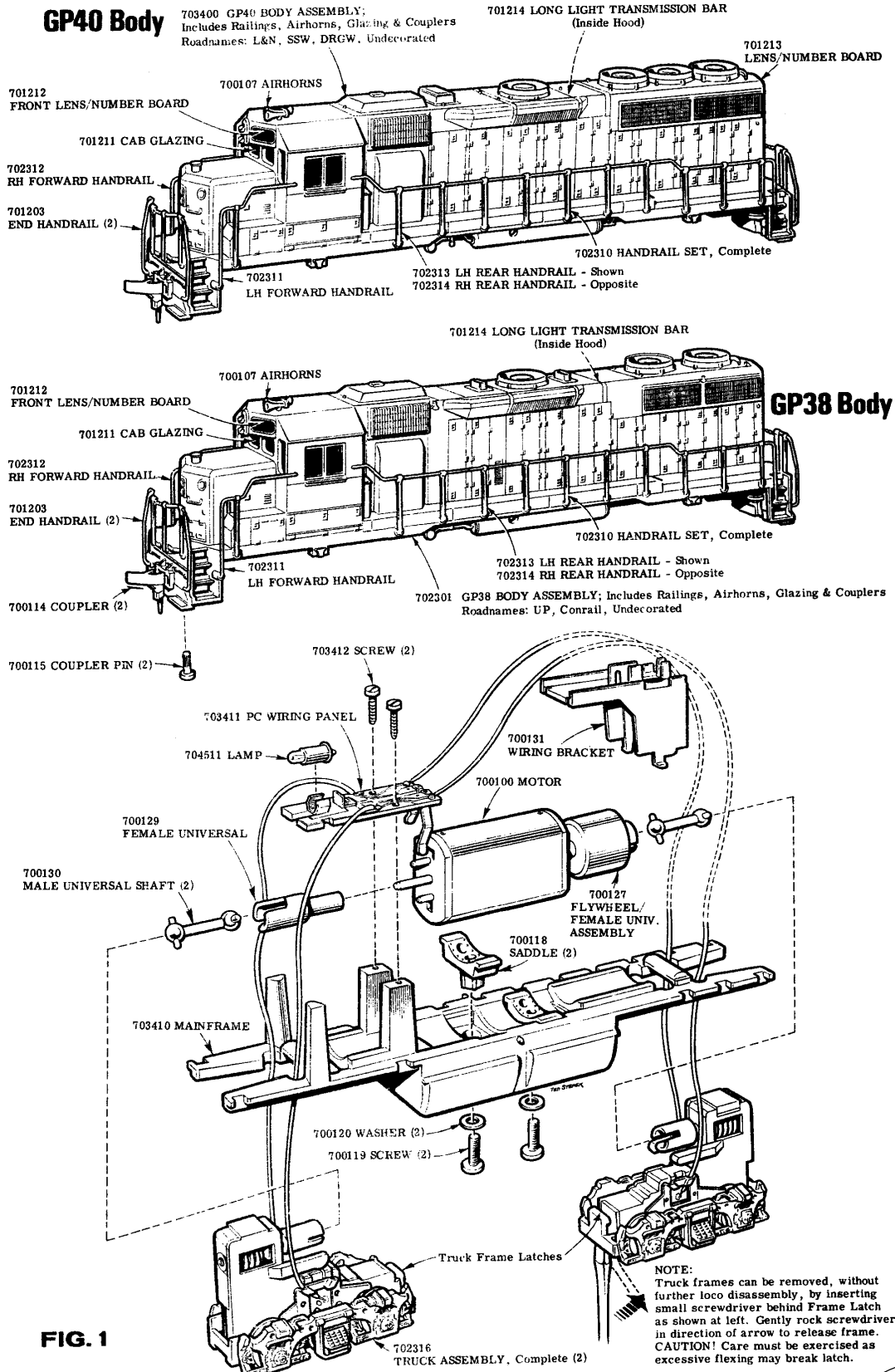


# HO EMD GP38/40 DIESEL LOCO (A) ROCO



## GP38 & GP40 Locomotive Assembly Exploded