

#220 Atlas Controller (Fig. 2-9)

Electrically controls reversing loops and turntables in two cab layouts. **NOTE:** When using a controller, do not use reversing switches on power packs, for the same reason described in "ATLAS Twin", on page 14. Figures 2-10 to 2-12 show the use of Controllers.

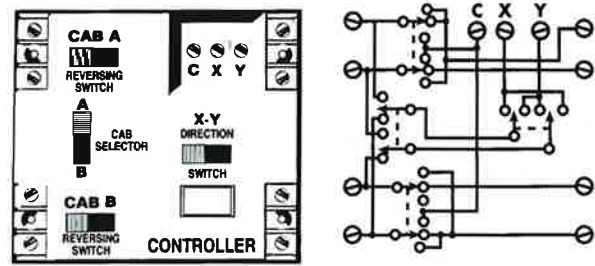


Figure 2-9
CONTROLLER & SCHEMATIC OF CIRCUIT

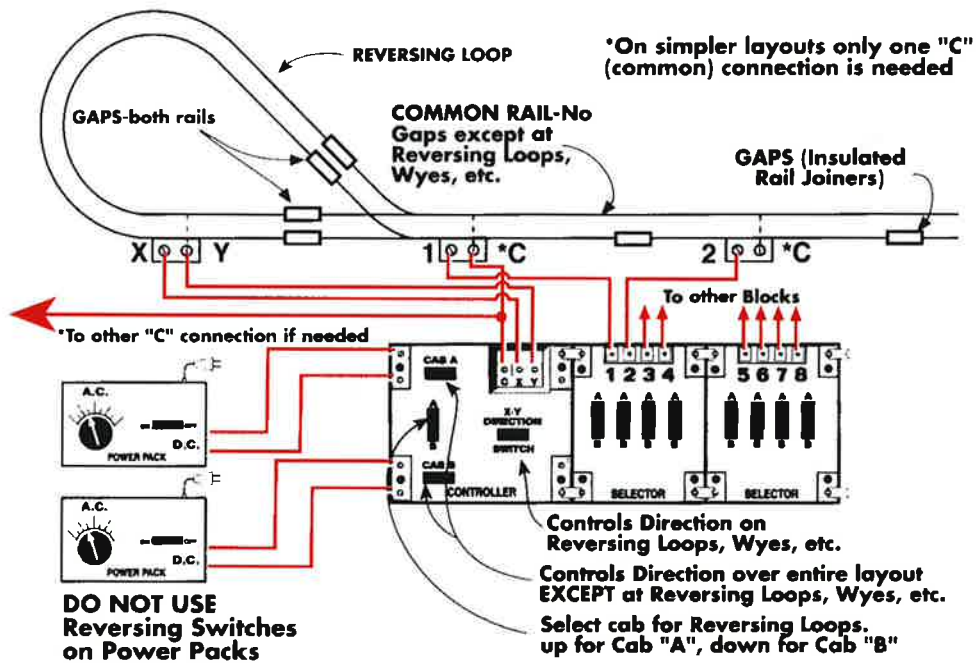


Figure 2-10
USING CONTROLLERS TO CONTROL REVERSE LOOPS

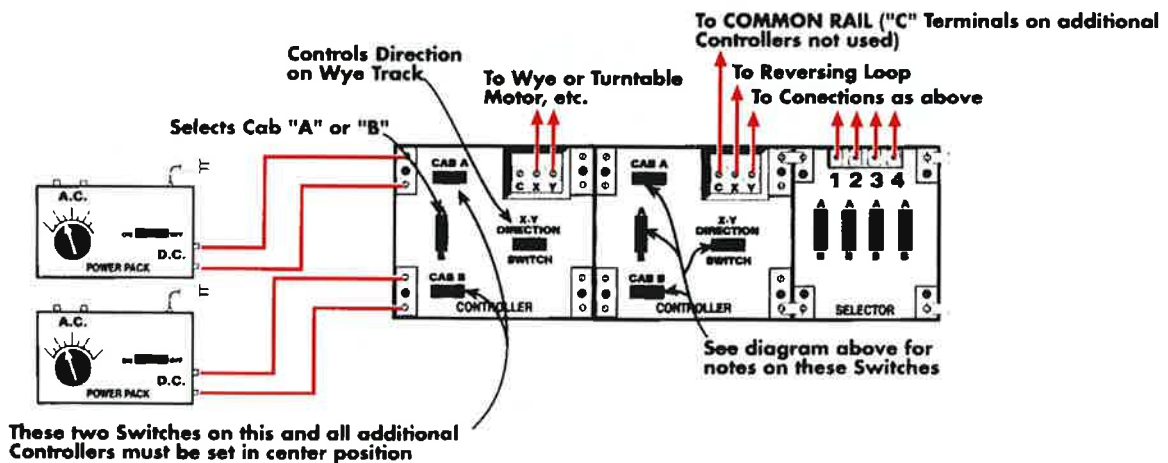


Figure 2-11
EXAMPLES OF USING THE CONTROLLER