

# ATLAS MODEL RAILROAD CO., INC.

## HO ALCO RS-1 DIESEL

### Mr. Roundhouse Superintendent:

The Atlas HO Alco Diesel has been carefully assembled and tested before leaving the factory. It will provide virtually maintenance free service; however, extended usage may require occasional replacement of the lamp and motor brushes.

Major disassembly should rarely be necessary and is not recommended for the novice. Only a person experienced in model loco repair should attempt dismantling the model as shown in the exploded perspective drawing.

### IMPORTANT

Before attempting disassembly all instructions should be read and drawings studied thoroughly so as to become familiar with the numerous latch locations which are identified in the drawings in a bolder italic typeface, ie **LATCH**.

### BODY & CAB Removal

- 1) Detach handrails from cab.
- 2) Place thumb and forefinger on sides of long hood as low and as far forward as possible. Squeeze gently while pulling upward to release front latches. Repeat this procedure to release rear latches at end with short hood.
- 3) Cab is secured to body by latches at the bottom of cab front and rear endwalls. To gain access to these latches the rear Light Bar/Headlight Lens 810203 must first be removed. Latches can now be released from the underside of the body. **NOTE:** Removal of the 810202 Cab Glazing Unit is difficult and requires care. The glazing unit is molded with its many panes precisely fitted to the individual cab window openings. All panes must be released simultaneously before the glazing unit can be withdrawn from the cab. The following method makes the job a bit easier.

Working one window at a time, push a window pane out of its cab opening then slip a narrow piece of paper between the glazing and the cab's inner wall to keep it from snapping back into the opening. Repeat this procedure at all other cab windows. With all panes thus held in disengagement the glazing unit can be withdrawn.

### TRUCK Removal

Detach Truck Wires 707313 by sliding their tiny connectors off the ends of Contact Wires 707104. Remove trucks as follows:

- 1) Remove Worm Cover 810304 by gently releasing its four small latches. This will expose various worm shaft elements which are best lifted out to avoid their loss while handling truck.
- 2) Truck can now be removed by rocking its outer end upward and pulling it toward frame end.

The trucks should not be disassembled beyond the stage shown in Fig. 1. The transmission gears cannot be removed from the factory welded 810302 Gearbox except by spreading its sides risking permanent damage. (continued over)

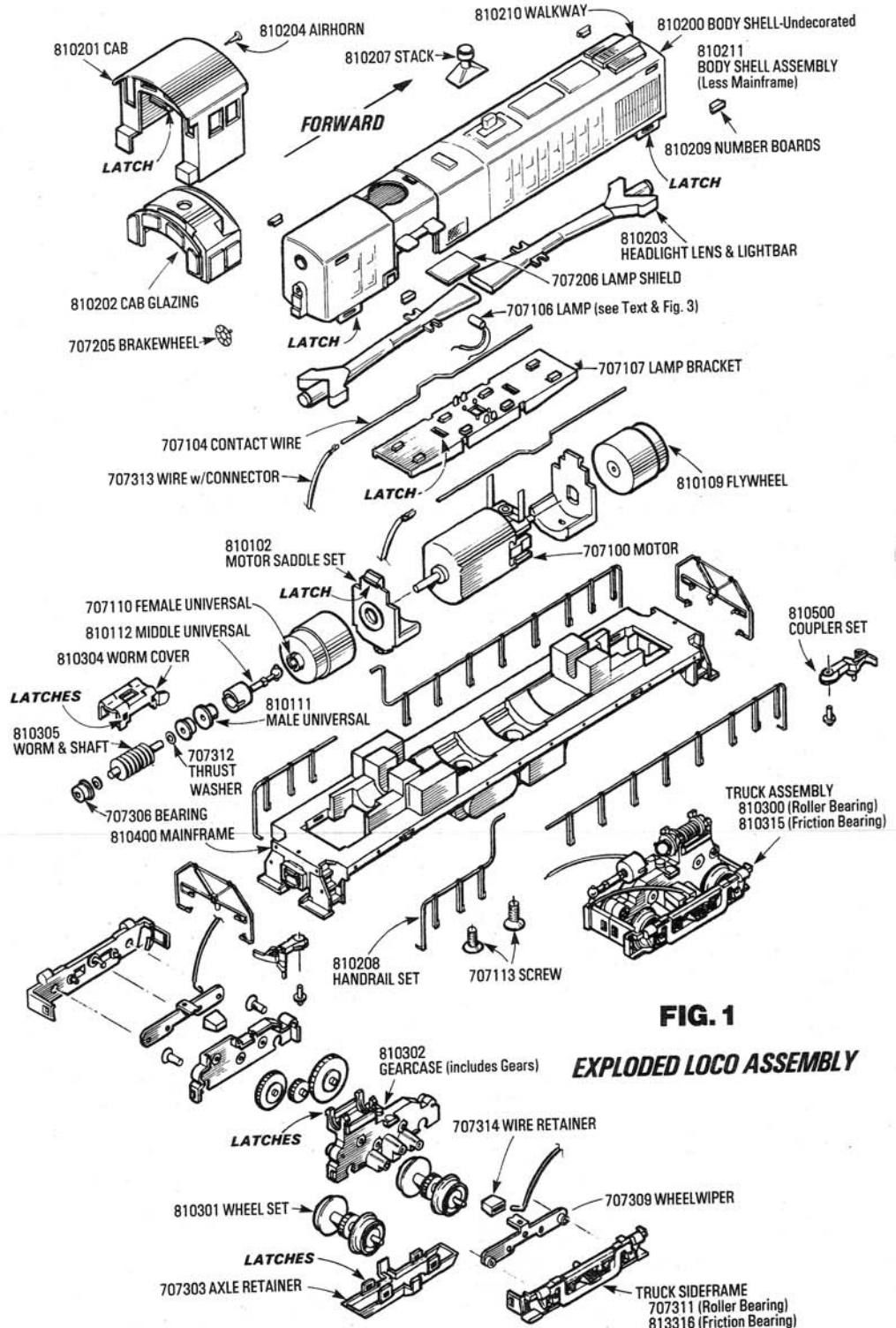


FIG. 1

EXPLODED LOCO ASSEMBLY