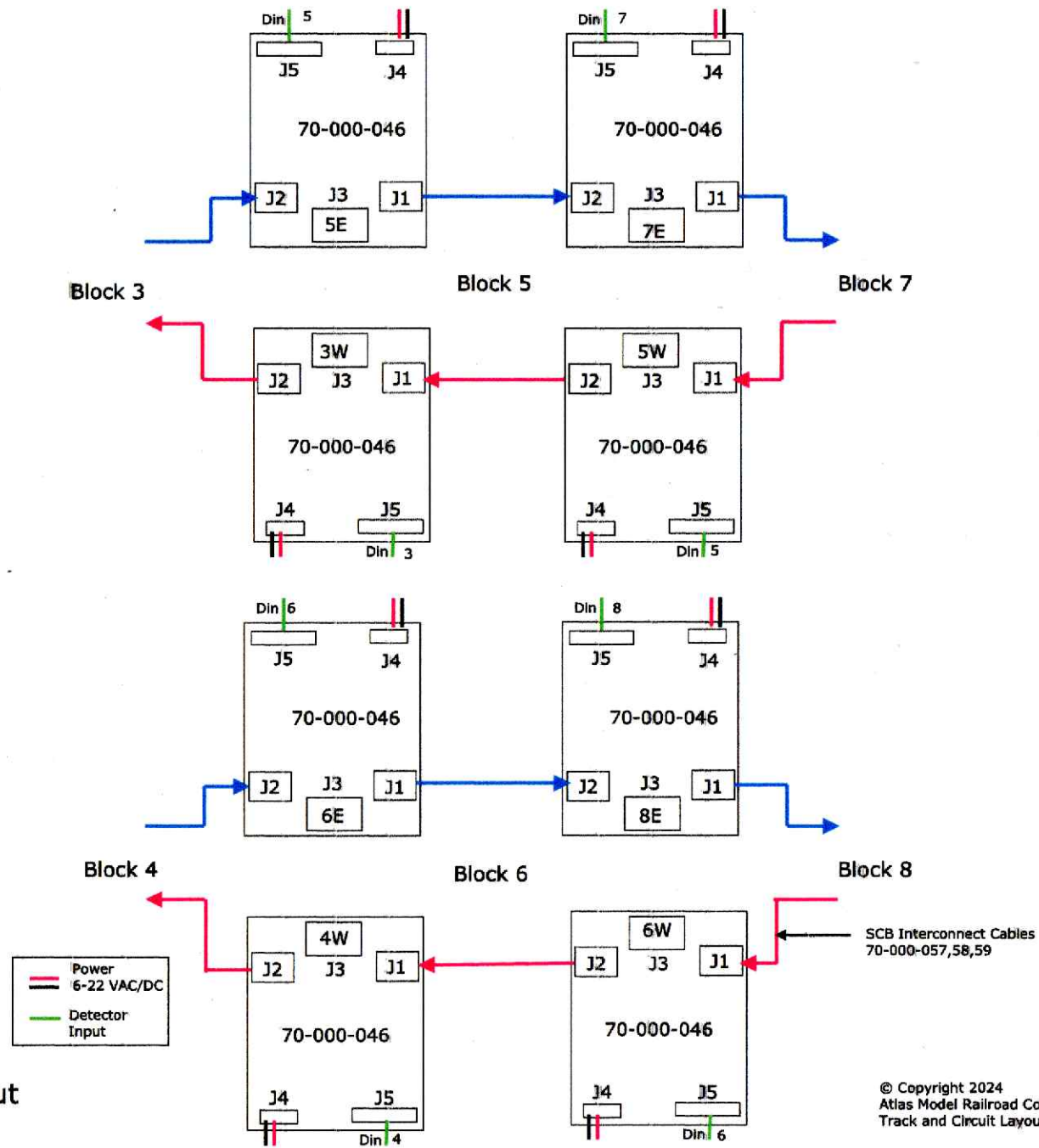


# Double Track Mainline



B-1 Circuit Board Layout