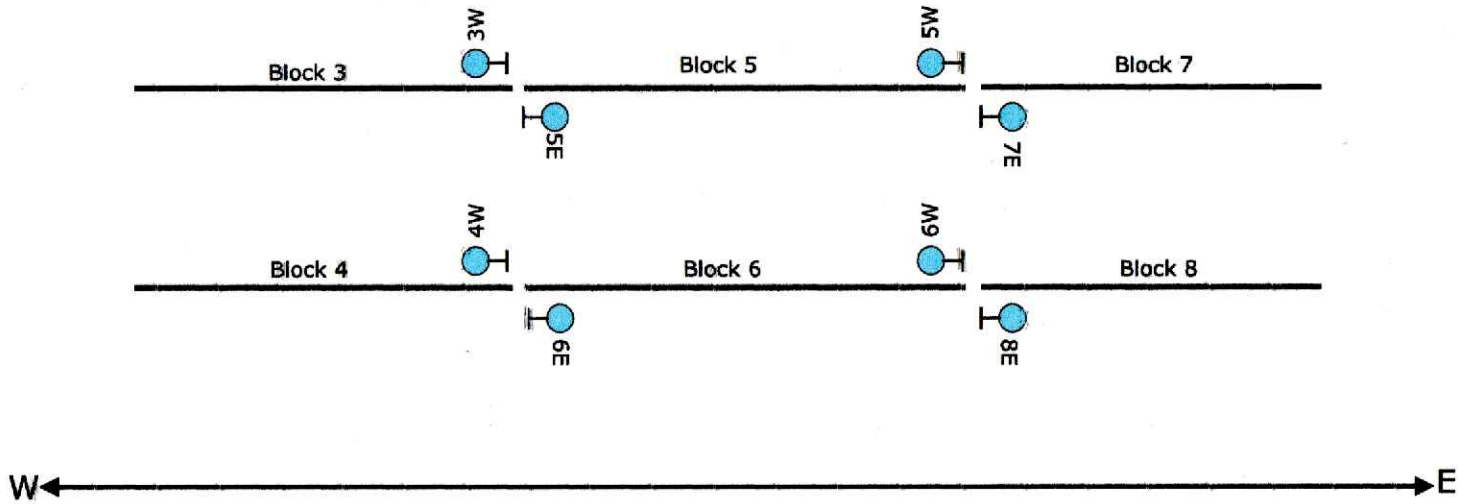




Double Track Mainline



B-1 Track Layout