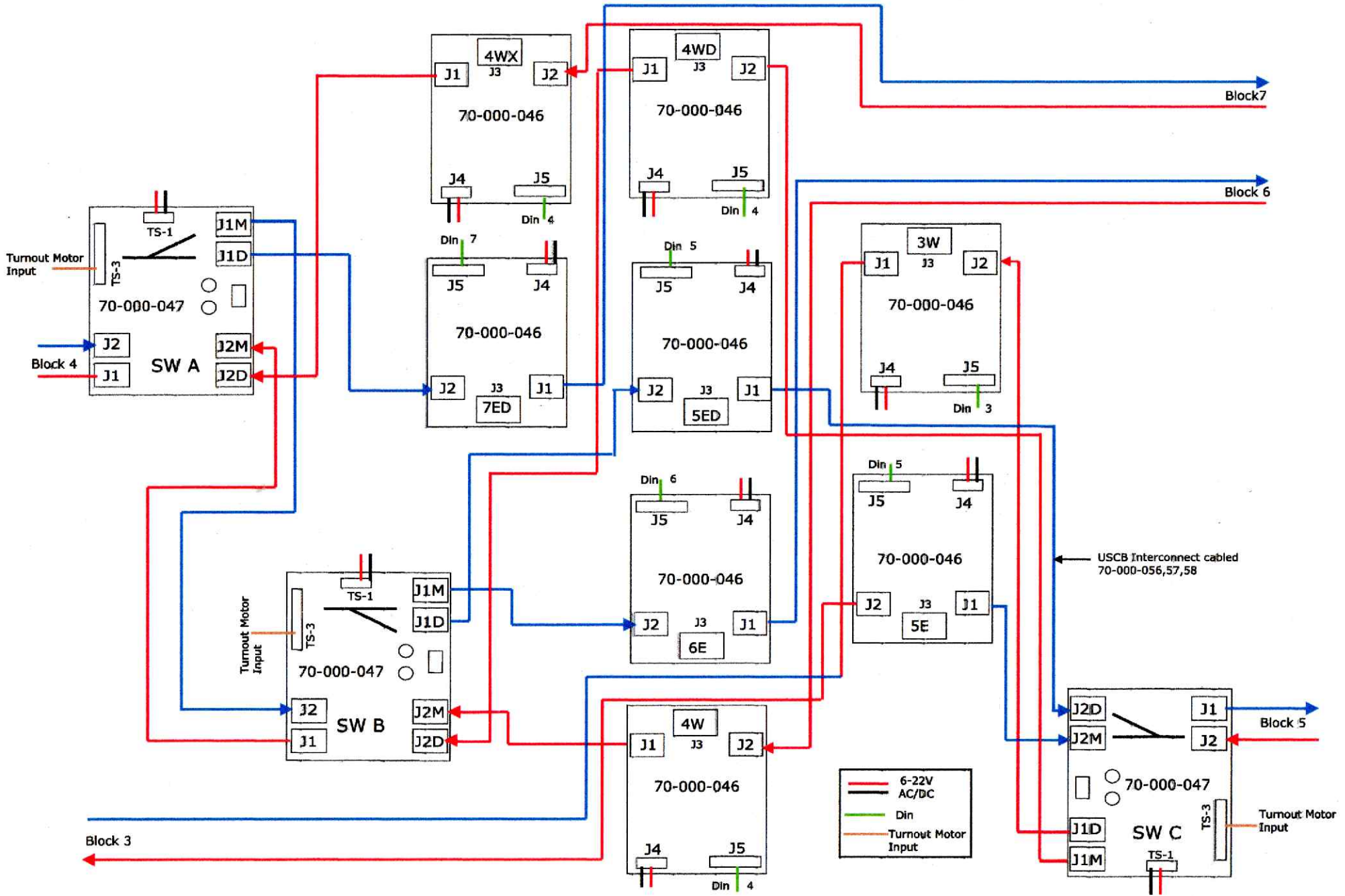


# Double track Mainline w\ Crossover RH Turnouts & Preceding LH Junction



B-10 Circuit Board Layout