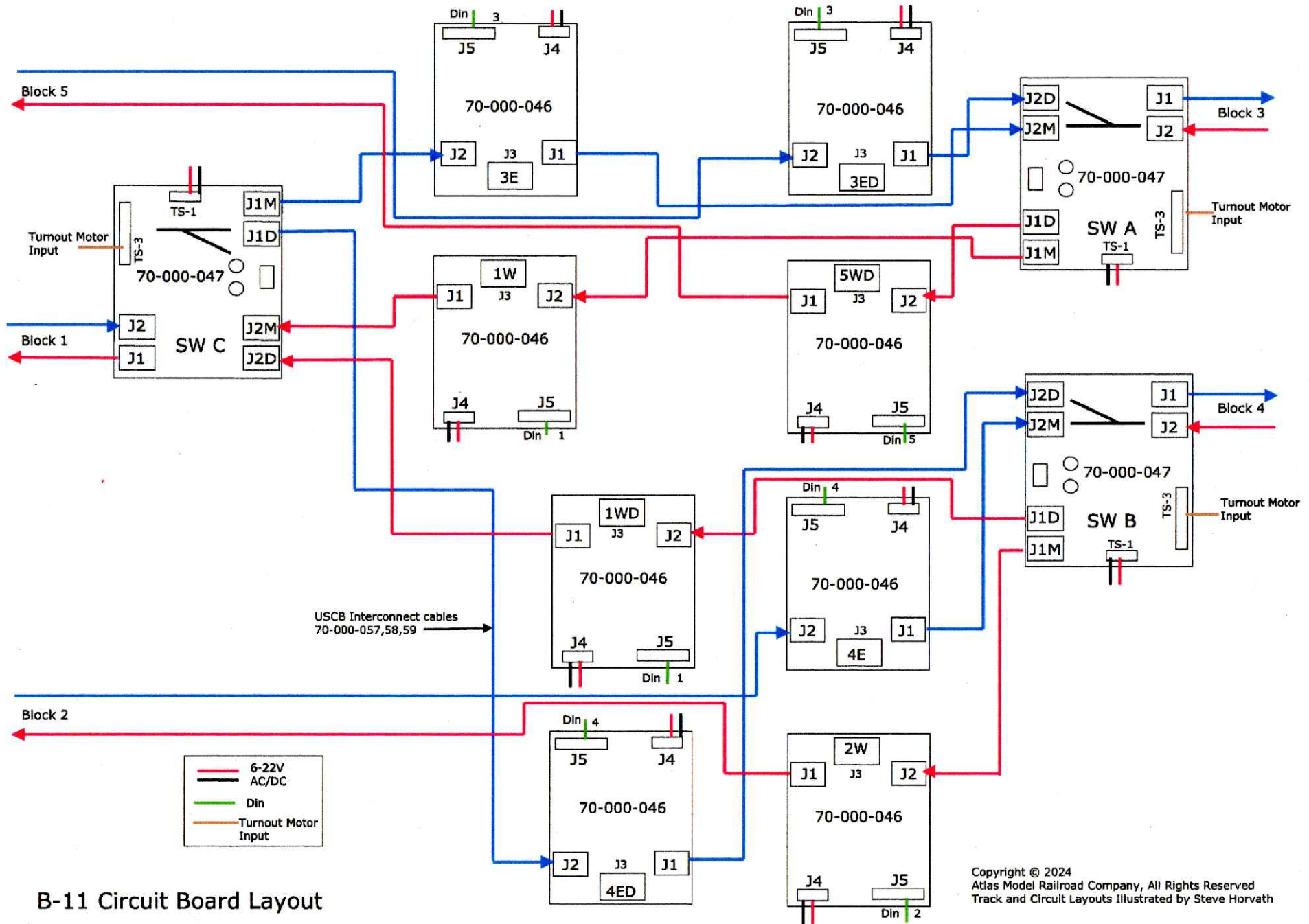


Double Track Mainline w/Crossover RH Turnouts & RH Parallel RH Turnout



B-11 Circuit Board Layout