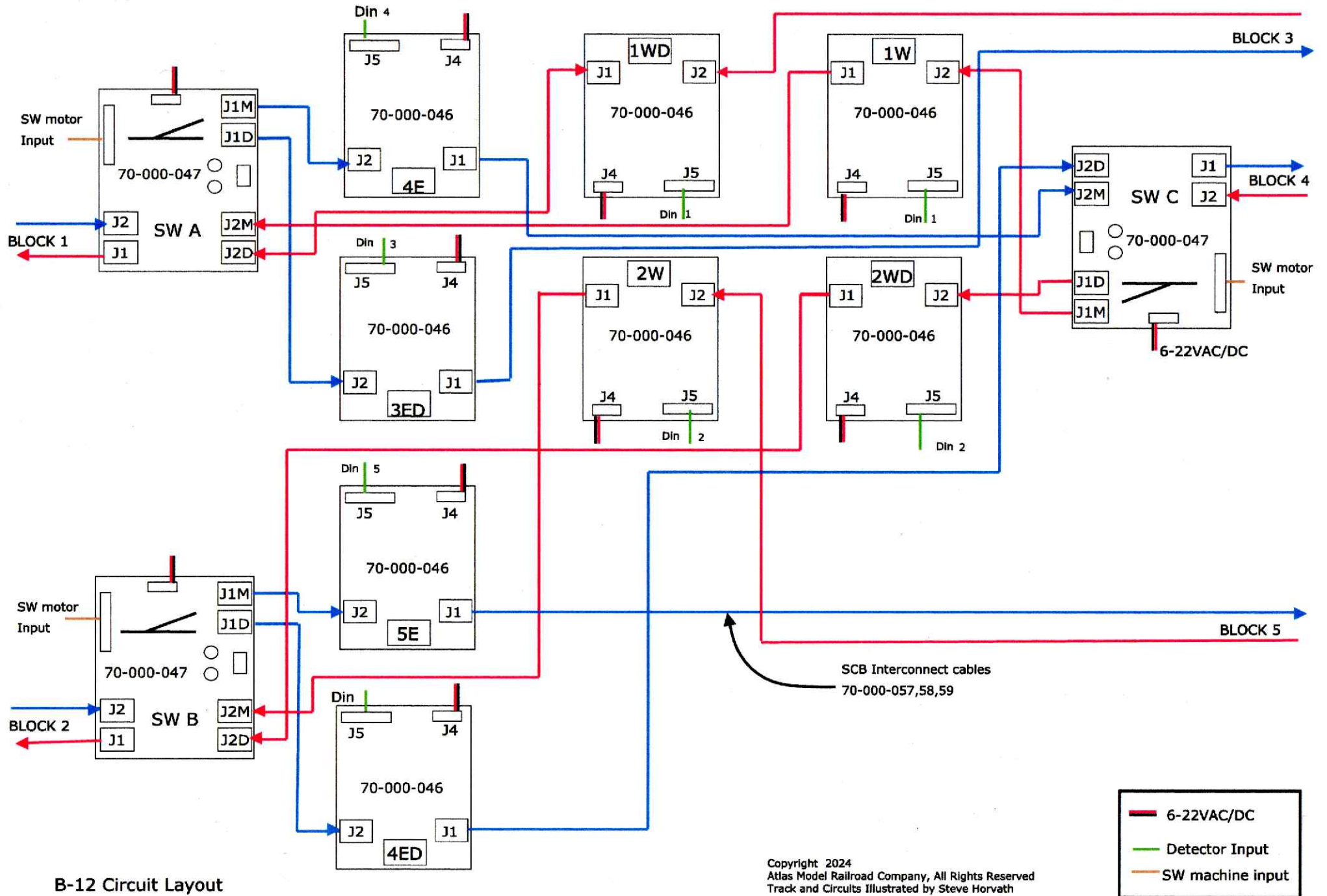


# Double Track Mainline w/ LH Turnouts X-over & Leading Junction



B-12 Circuit Layout