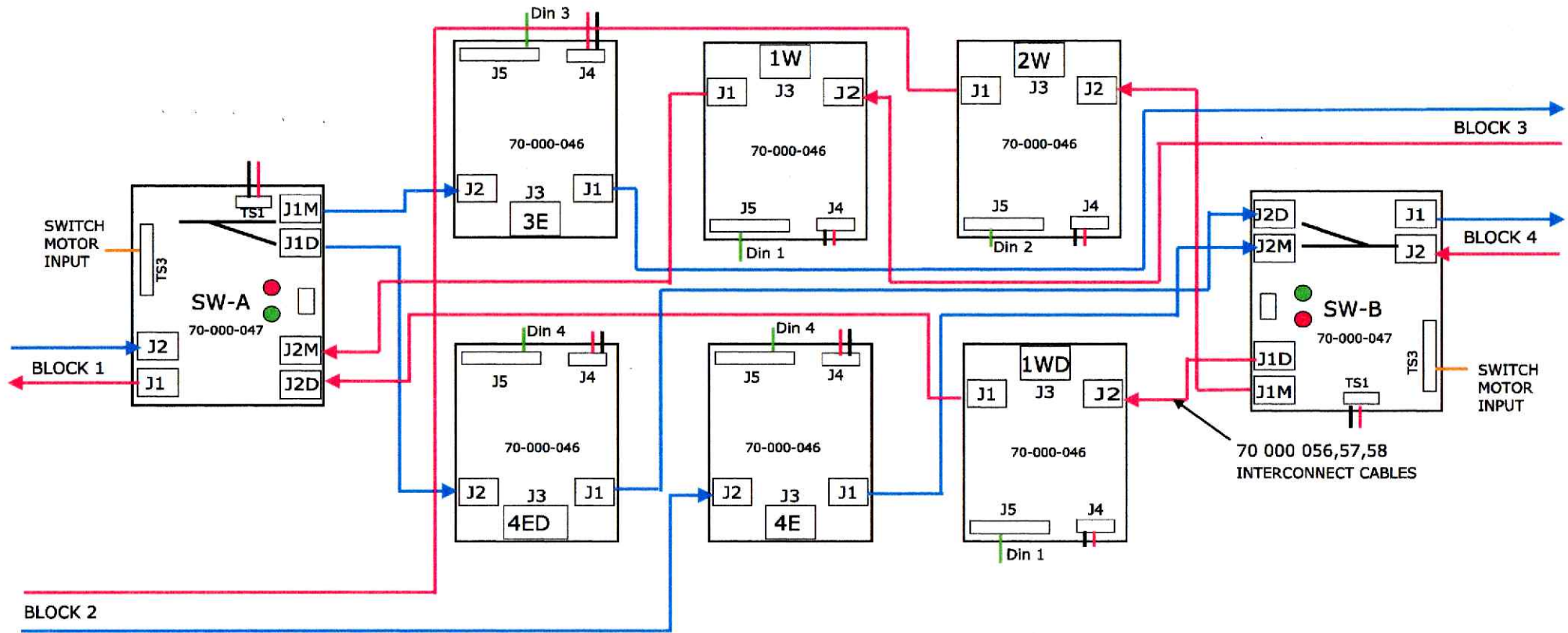


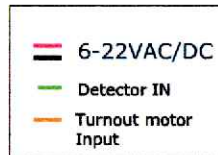
Double Track Mainline w/Crossover RH Turnouts



BLOCK 2

BLOCK 3

BLOCK 4



B-2 Circuit Board Layout