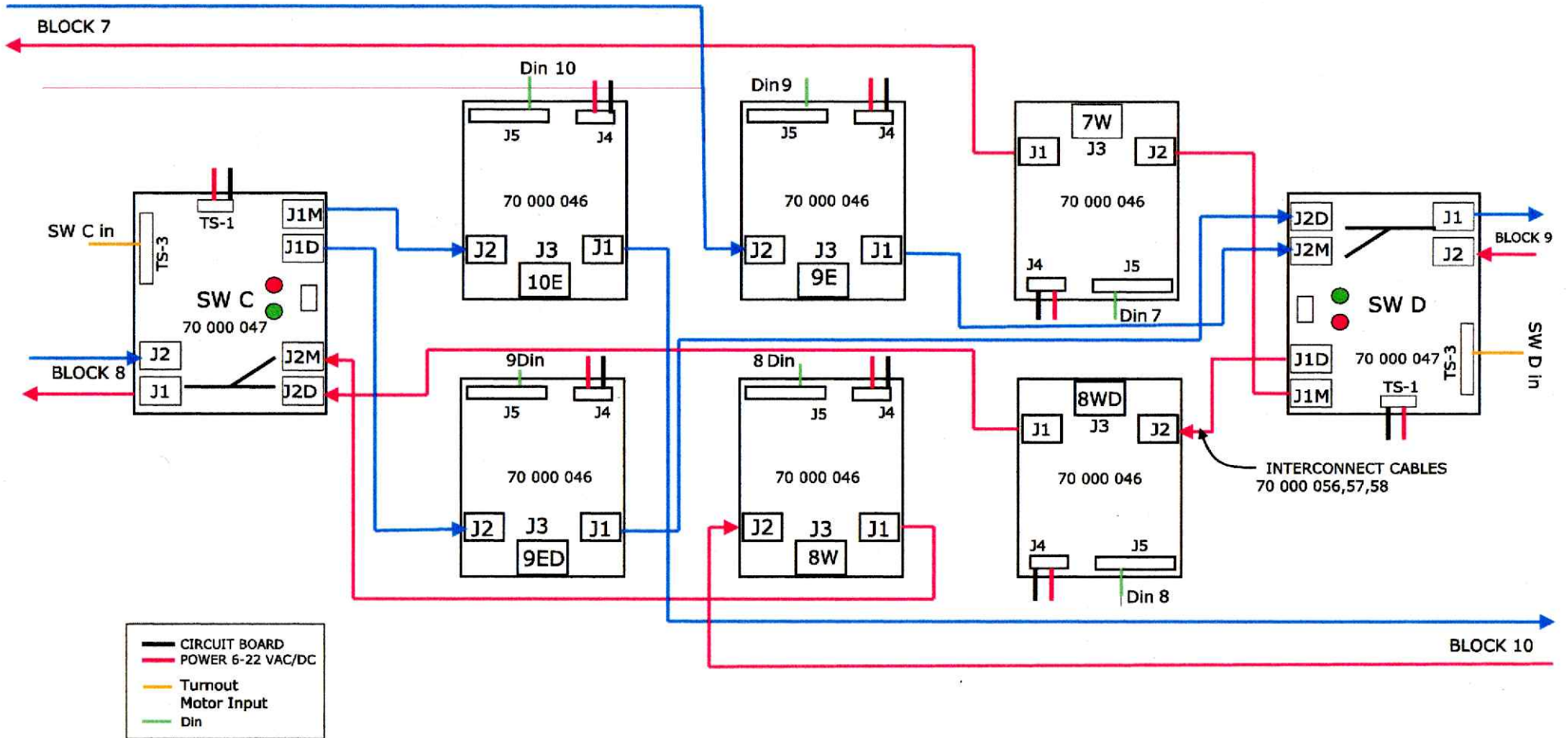


Double Track Crossover w/ LH Turnouts



B-3 Circuit Board Layout