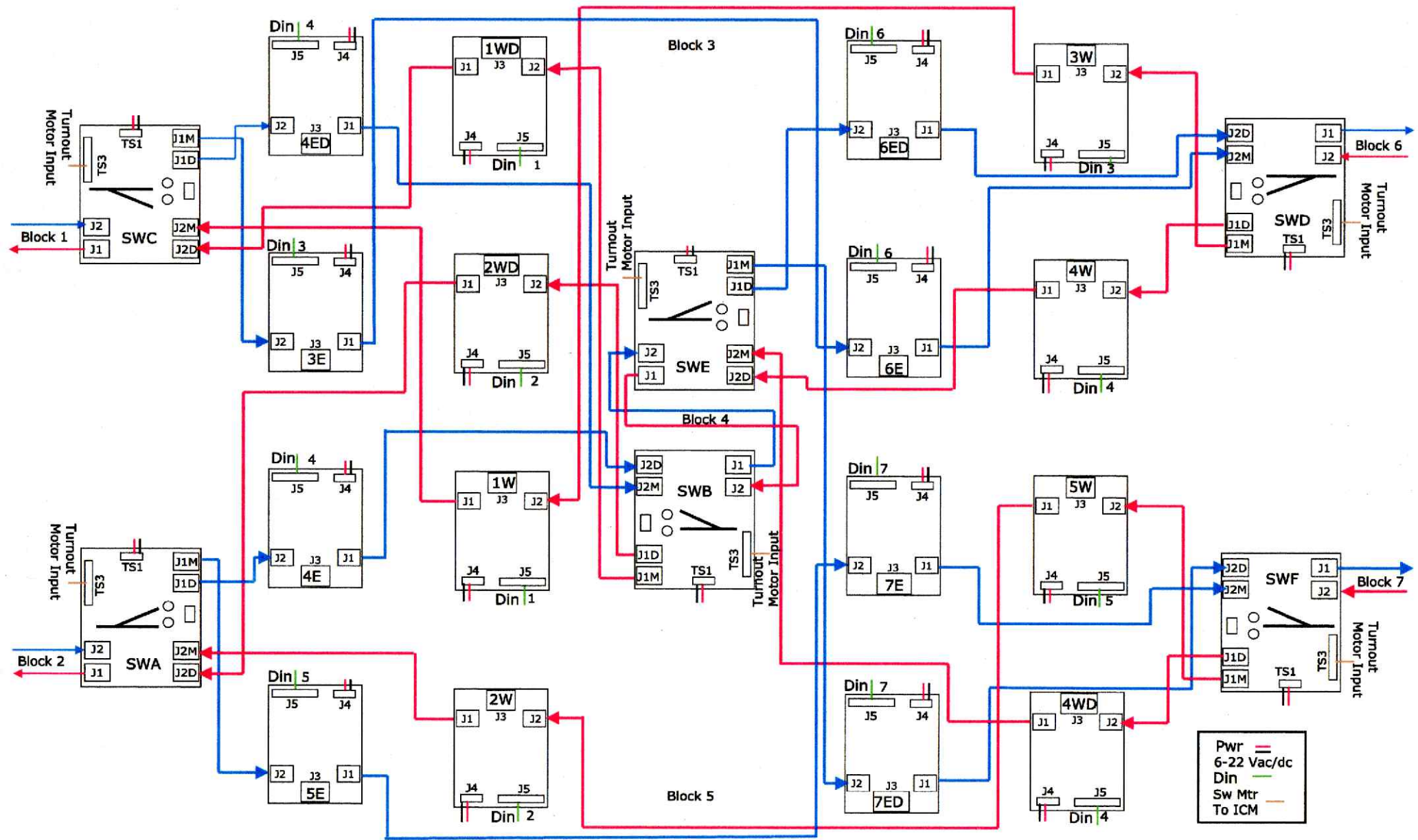


# Double Track Mainline w/ Shared Passing Siding



B-4 Circuit Board Layout