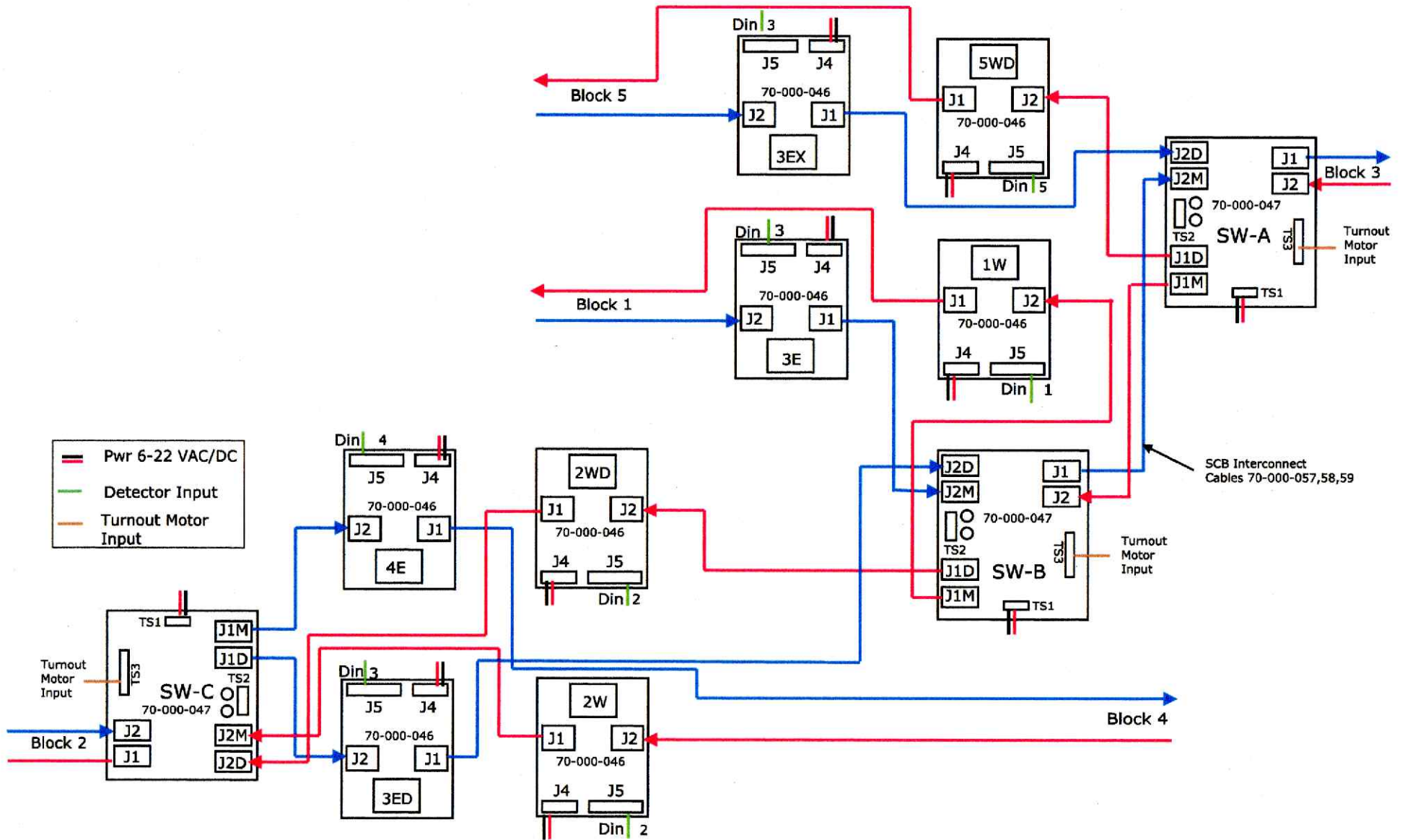


Double Track Crossover LH Turnouts w/ Following RH Junction



B-5 Circuit Board Layout