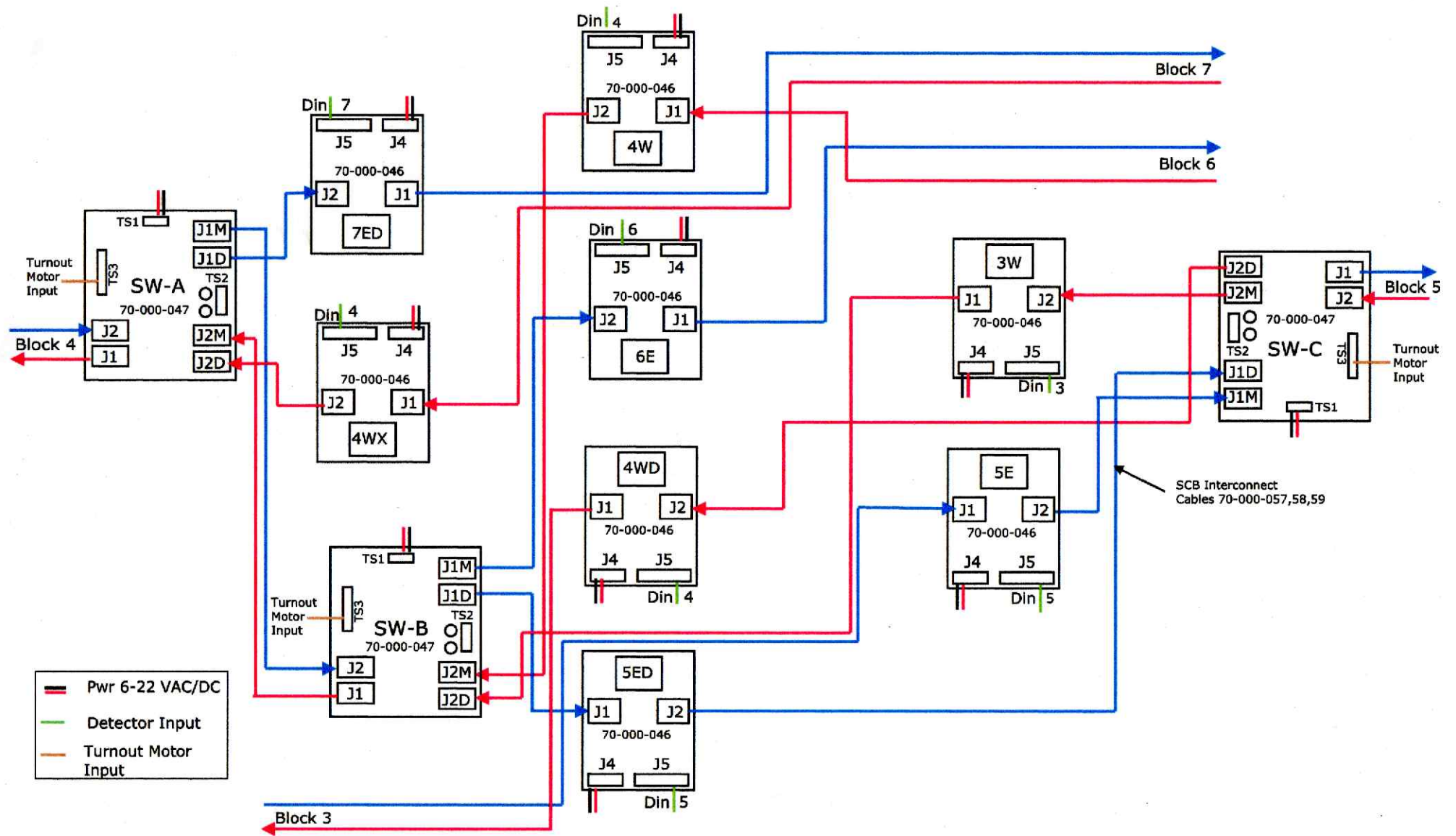


Double Track Main w/ Crossover RH Turnouts Followed by LH Turnout Junction



B-6 Circuit Board Layout