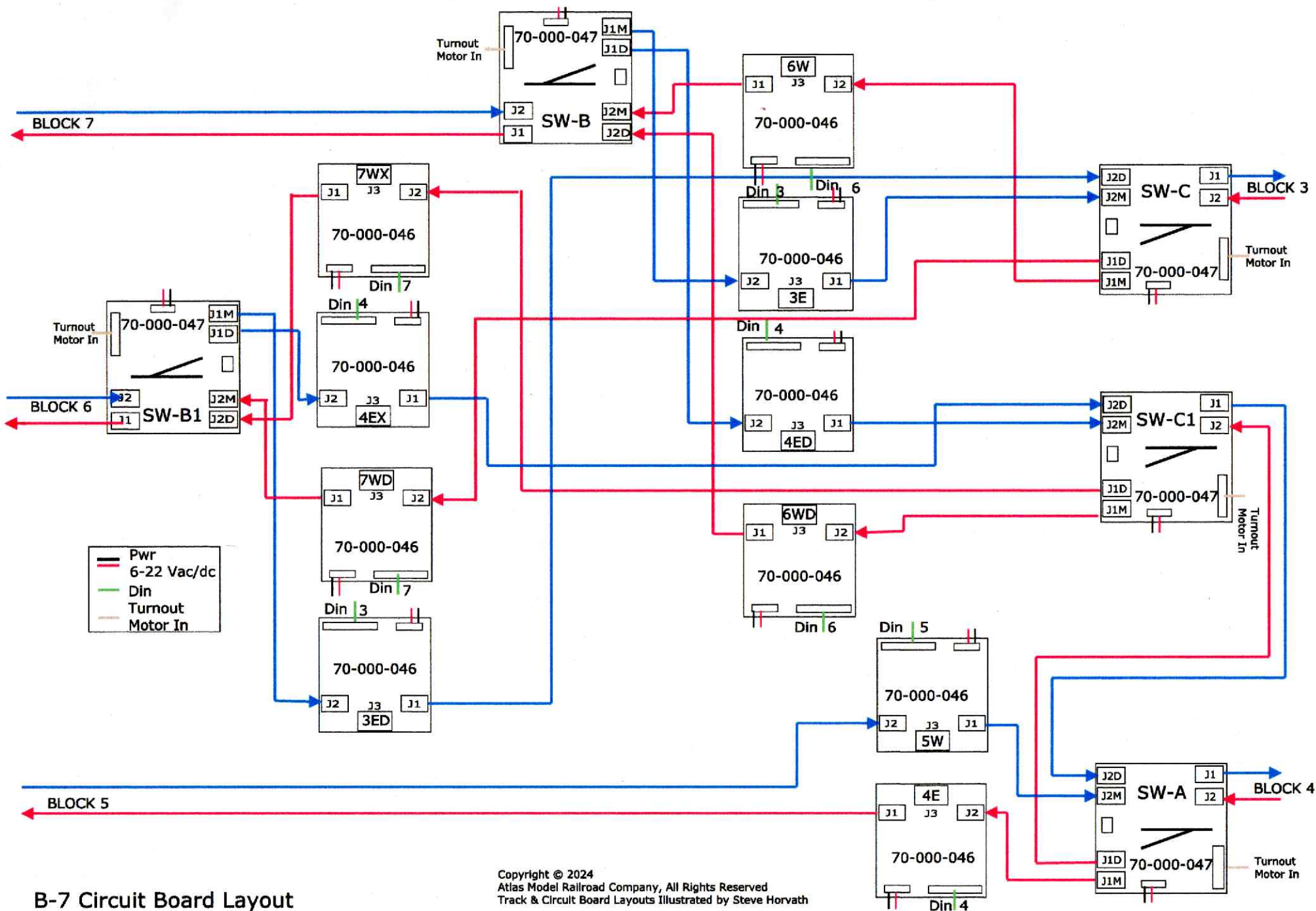


Double Track Mainline w/ Crossover RH Turnouts w/ Preceding RH Junction



B-7 Circuit Board Layout