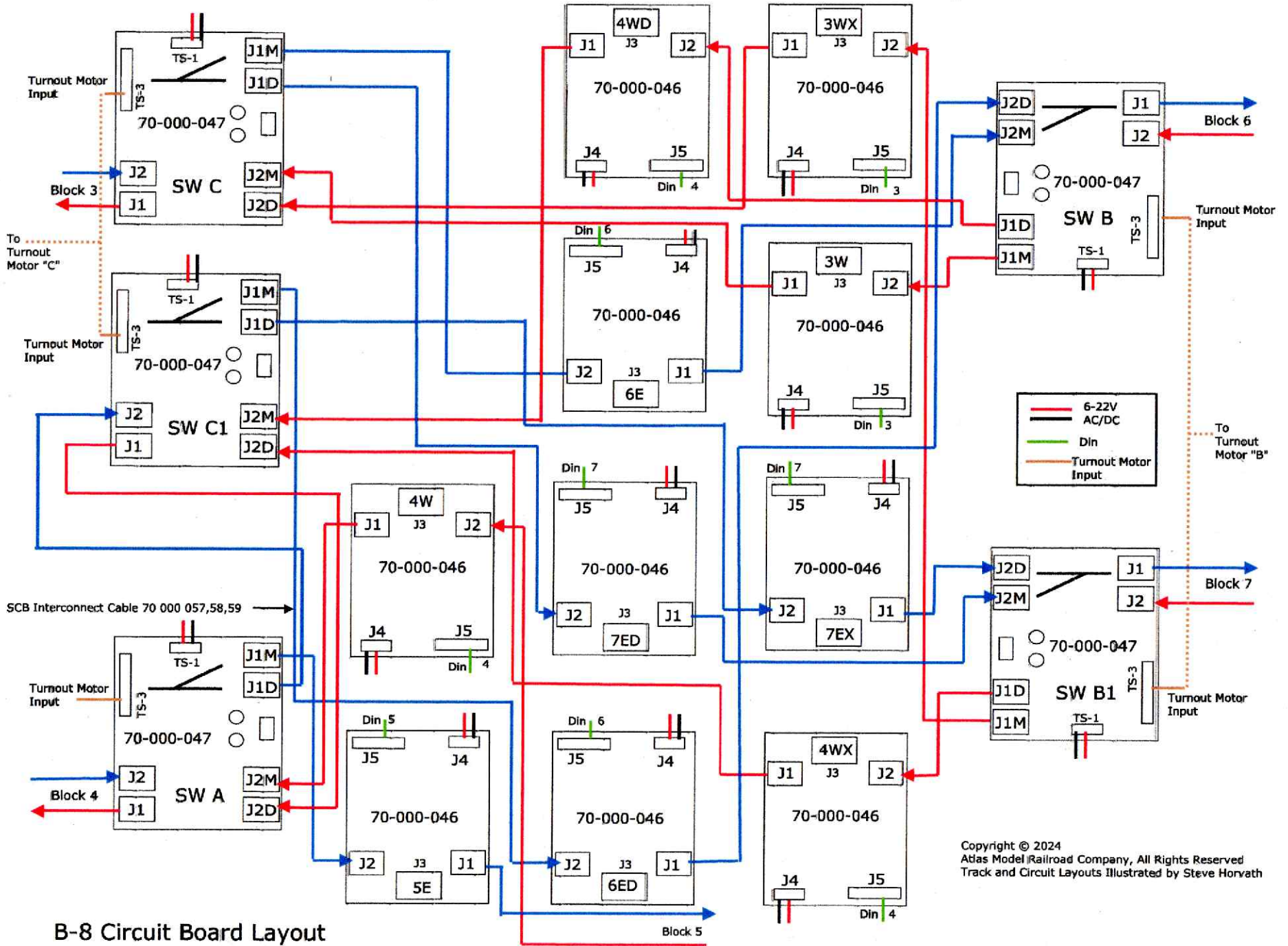


Double Track Mainline w/Crossover LH Turnouts followed by LH Turnout



B-8 Circuit Board Layout