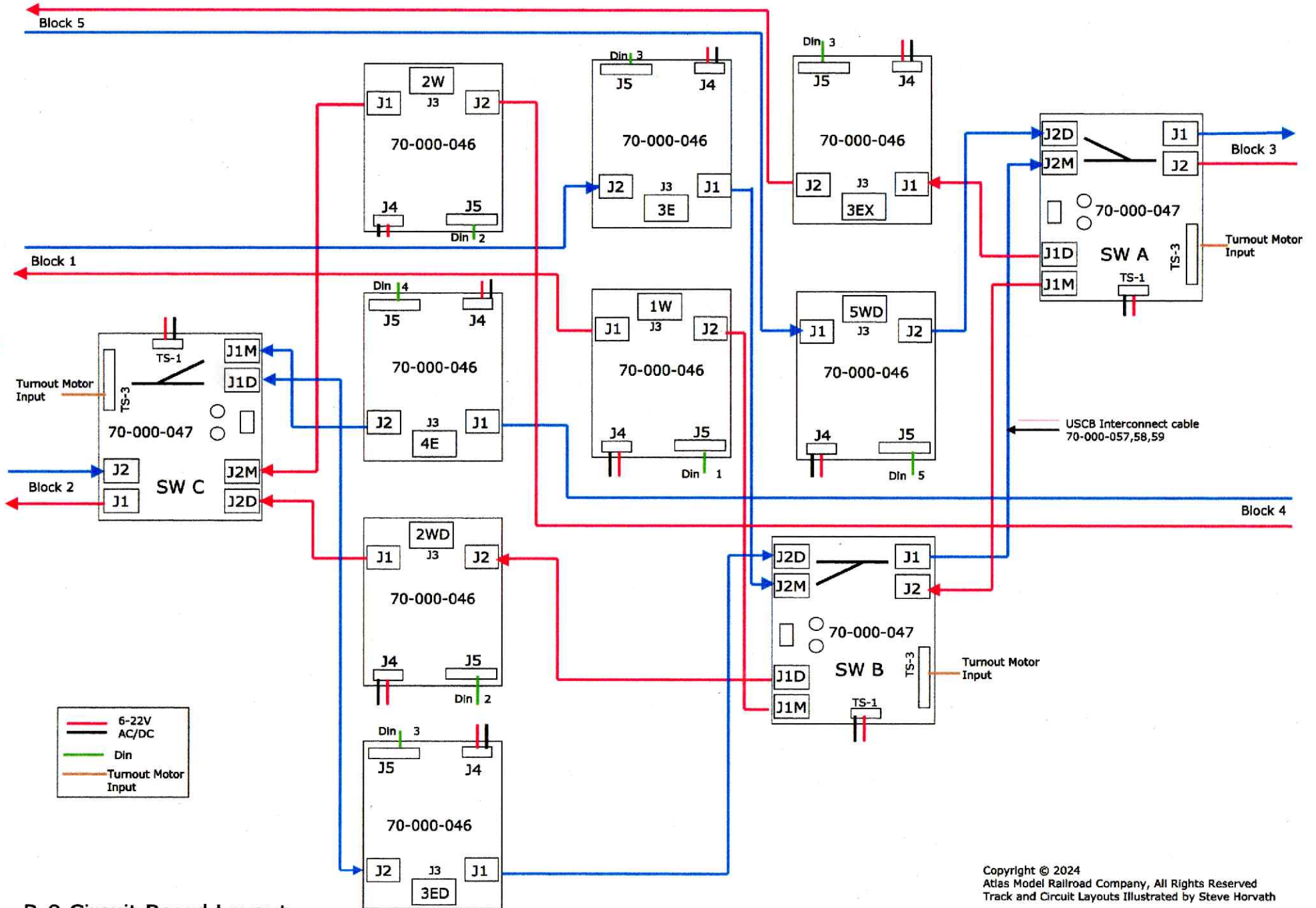


Double Track Mainline w/ Crossover LH Turnouts & Preceding RH Junction



B-9 Circuit Board Layout