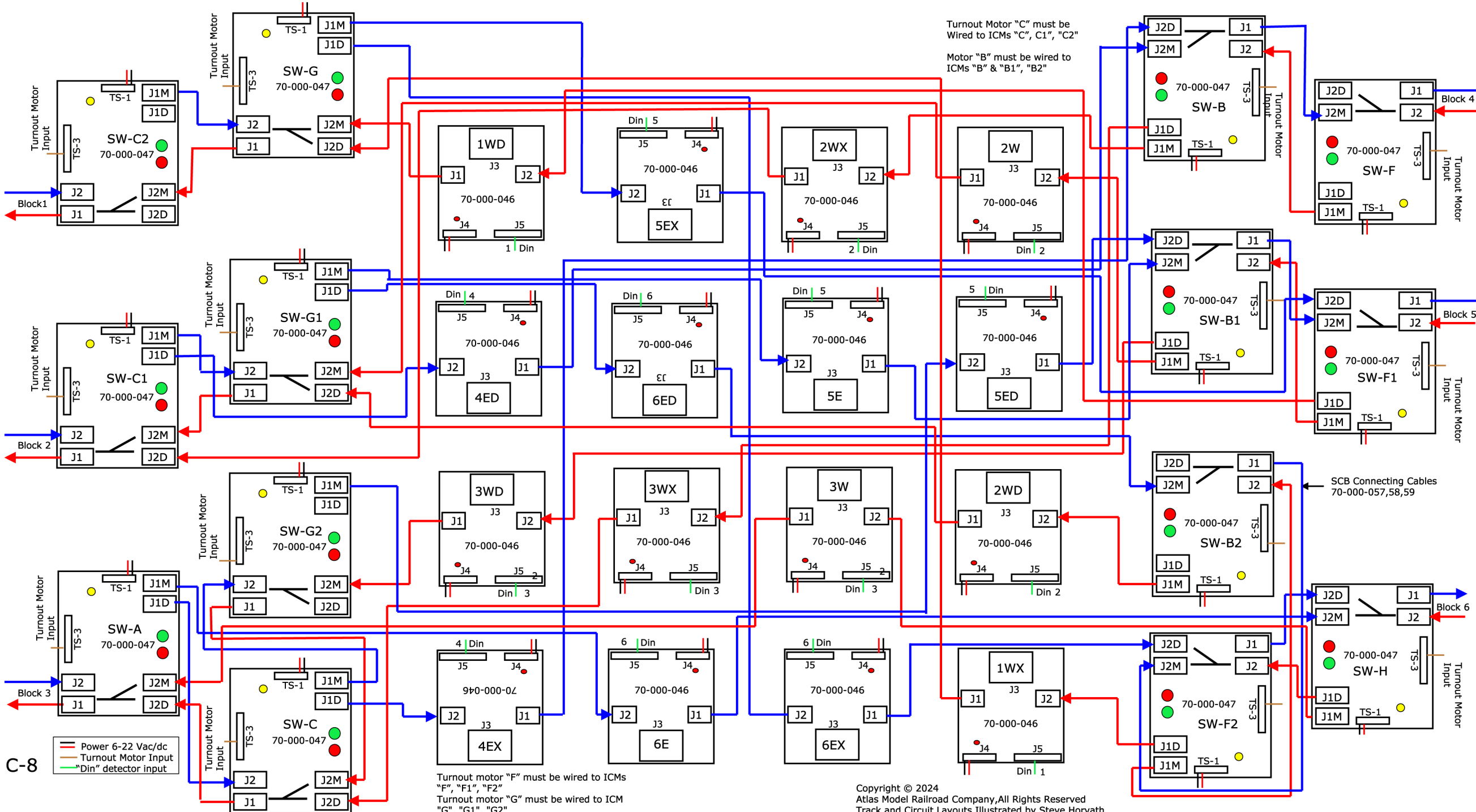


# C-8 Double Crossover with Two Intermediate Diverging Routes



C-8