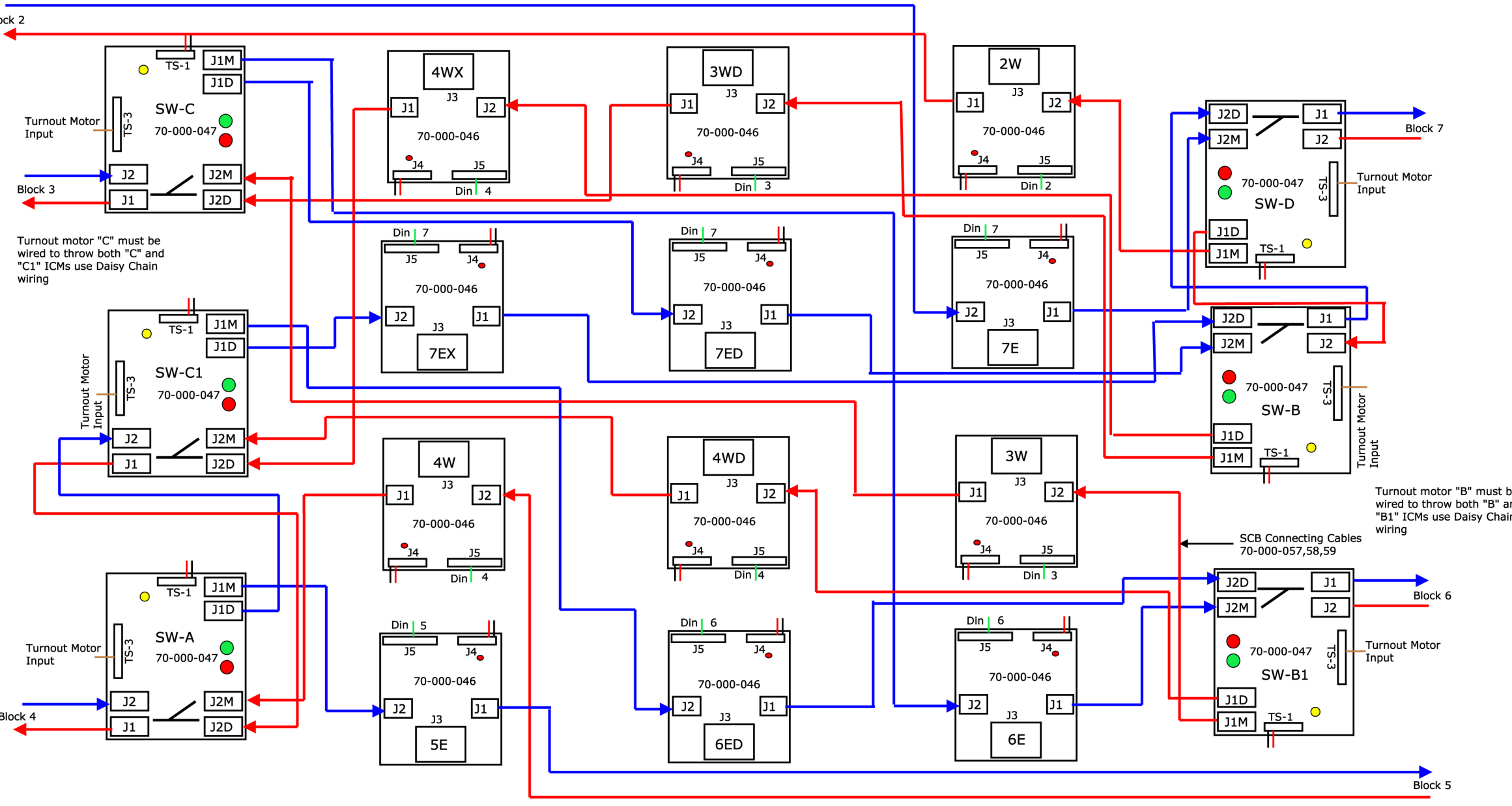


D-4 Triple Track Mainline with Sequential Crossovers (Left-Hand)



— Power 6-22 Vac/dc
— Turnout Motor Input
— "Din" detector input