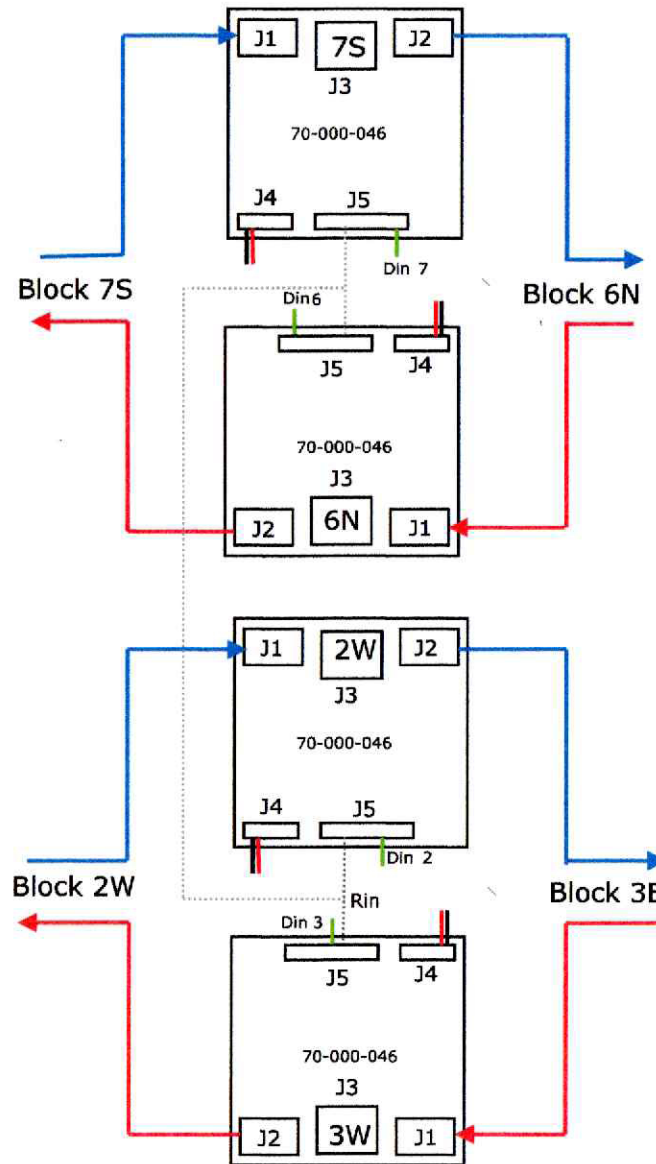


SP-1 Crossing Interlock



Connect the Rin lead From J5 of each USCB together

