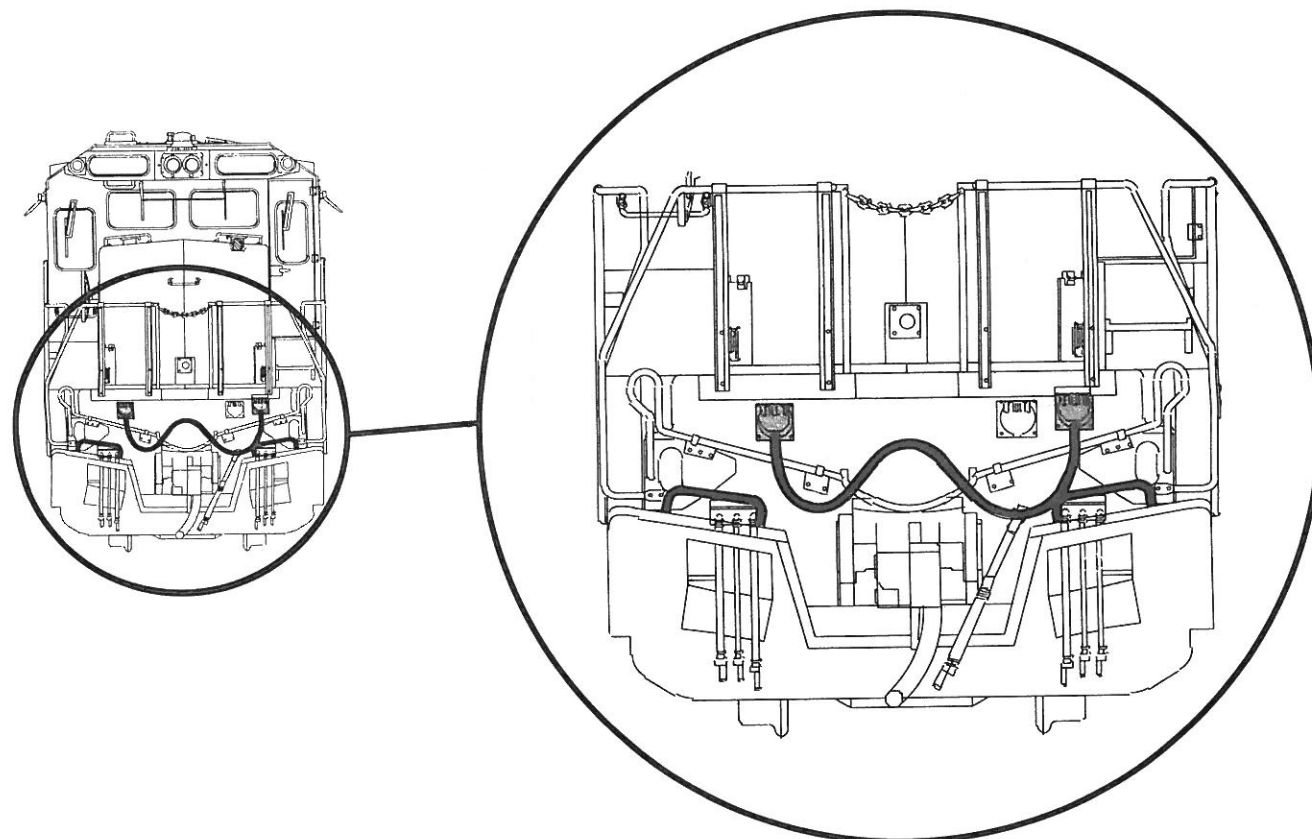
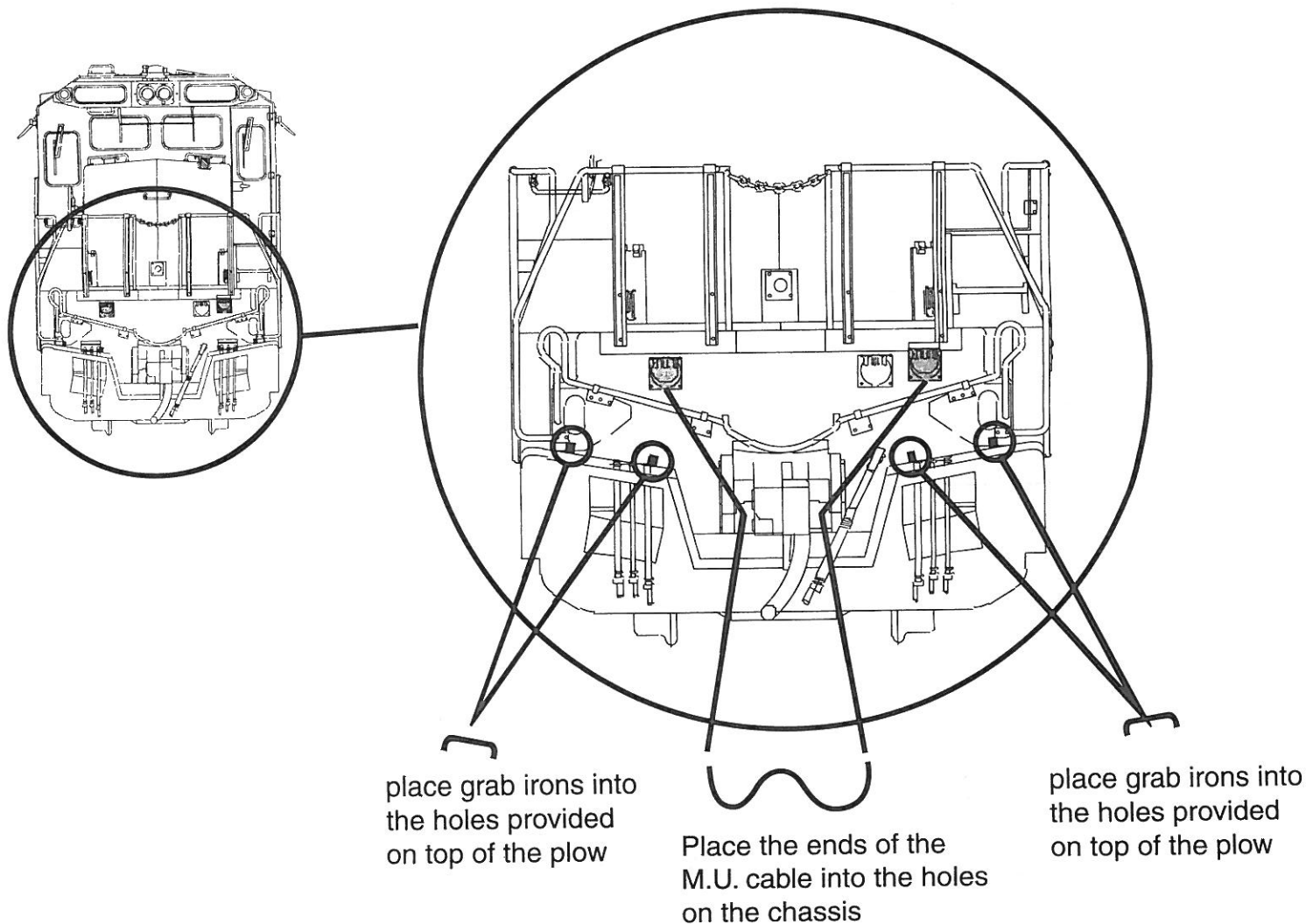


BEFORE INSTALLATION



AFTER INSTALLATION

PLEASE NOTE: The M.U. cable may interfere with the snow plow on tight curvatures. This is not a problem on 2 rail version of the locomotive.