

**GUARANTEED PRE-ORDER DUE DATE: WEDNESDAY MAY 22<sup>ND</sup>, 2024**  
**CONSUMER EDITION**



# 'PREMIER' CATALOG

## SPRING 2024

*featuring*  
Atlas O Premier Steam  
2-8-0 Locomotives  
Pages 8-11



# ATLAS 100<sup>TH</sup> ANNIVERSARY

## VOLUME 2

# LOCOMOTIVES, ROLLING STOCK TRACK & ACCESSORIES



## PRE-ORDER ANNOUNCEMENTS - SPRING 2024



**GUARANTEED PRE-ORDER DUE DATE:  
WEDNESDAY MAY 22<sup>ND</sup> 2024**

April 2024

Dear Atlas O Scale Model Railroader,

Atlas is celebrating the historic occasion of our 100th Anniversary throughout 2024. Our year long commemoration continues with this Volume 2 Atlas O Premier Catalog edition, featuring Atlas O Scale locomotives, rolling stock, track and accessory products. Stay tuned throughout the year for additional catalogs highlighting the very best Atlas has to offer in all scales.

Catalogs such as this one are the basis of Atlas' distinctive "guaranteed" pre-order system. Before the Research & Development department gives the final go ahead for production, Atlas announces to its customers the products we are preparing to make. This announcement comes in the form of our Atlas Model (HO & N) and Atlas O Premier Catalogs that provide our customers with the opportunity to arrange a guaranteed pre-order if placed by the given deadline. If possible, Atlas will try to fill orders placed after a given deadline, but these cannot be guaranteed. Occasionally, we offer 'Limited Availability' products for which we have speculated on order quantities and therefore these orders cannot be guaranteed. Either way, its best to place orders as soon as possible for your best chances at acquiring a selected product.

This catalog includes opportunities to reserve select Guaranteed Pre-Order Premier Locomotives as well as Master & Premier rolling stock. Atlas O continues the expansion of the O locomotive line with offerings of the Premier P42 Locomotive, as well as Premier Steam 2-8-0 Locomotives with matching Trainman 60' Passenger Cars. All of these locomotive offerings will come equipped with MTH DCS, Proto-Sound 3.0! Our Trainman® GP15-1 Locomotive makes a triumphant return to the lineup with offerings in 3-Rail DCS, 2-Rail DCS and 2-Rail Analog. Both DCS versions will come equipped with MTH DCS, Proto-Sound 3.0.

This catalog also includes the release of several rolling stock models in the Master and Premier lines including: Snow Plows, 40' Wood Reefers and more - with authentic prototypical paint schemes. We're also announcing new runs of 40' Sliding Door Box Cars and War Emergency Gondolas in our Trainman line.

Last, but not least, this announcement brochure serves as a reminder to all our customers, of the extensive line of Atlas O track, accessories, trackside buildings, signal system and other structures that Atlas O has available on a day to day basis. Whether you're rehabilitating an existing layout, or building one from scratch, Atlas O customer service and sales representatives are ready to assist you in whatever way we can to make your layout a reality.

To remain updated on all Atlas O products and special announcements, sign up for the Atlas Insider Email at <https://shop.atlasrr.com>.

Happy Model Railroading,  
Drew Postle, Atlas Sales Manager

Products bearing American Refrigerator Transit; Chicago & Eastern Illinois (C&EI); Chicago and North Western Railway Company (CNW); The Denver & Rio Grande Western Railroad Company (D&RGW); Katy; Missouri-Kansas-Texas Railroad Company (MKT); Missouri Pacific (MP); Pacific Fruit Express (PFE); Southern Pacific (SP); St. Louis Southwestern Railway Company (SSW); Cotton Belt; Texas & Pacific (T&P); Union Pacific (UP); Union Pacific Fruit Express (UPFE); Western Pacific (WP) marks are made under trademark license from Union Pacific Railroad Company.

Atlas Model Railroad Co., Inc. • 378 Florence Ave., Hillside, NJ 07205 • USA • ph: 908-687-0880 • fax: 908-687-8857 / 908-851-2550 • [shop.atlasrr.com](https://shop.atlasrr.com)



**GUARANTEED PRE-ORDER DUE DATE:  
WEDNESDAY MAY 22<sup>ND</sup> 2024**

# TABLE OF CONTENTS

**PRE-ORDER ANNOUNCEMENTS** **PAGE #**



## **ATLAS O PREMIER CATALOG ANNOUNCEMENTS LOCOMOTIVES, PASSENGER CARS & ROLLING STOCK**

ATLAS O PREMIER P42 GENESIS LOCOMOTIVE **NEW PAINT SCHEMES** ..... pgs.4-7

ATLAS O PREMIER STEAM 2-8-0 LOCOMOTIVE **NEW ATLAS O MODEL** ..... pgs.8-11

ATLAS O TRAINMAN® 60' PASSENGER CAR **NEW PAINT SCHEMES, ROAD NUMBERS & BACK BY POPULAR DEMAND** ..... pgs.12-21

ATLAS O TRAINMAN® GP-15 LOCOMOTIVE **NEW PAINT SCHEMES & NEW ROAD NUMBERS** ..... pgs.22-25  
**Now Offered in 2-Rail DCS with Proto-Sound 3, as well as 3-Rail DCS & 2-Rail Analog!**

ATLAS O PREMIER NORTHEAST CABOOSE **NEW PAINT SCHEMES** ..... pgs.26-27

ATLAS O PREMIER SNOW PLOW **NEW PAINT SCHEMES** ..... pgs.28-29

ATLAS MASTER® O 40' WOOD REEFER **NEW PAINT SCHEMES** ..... pgs.30-31

ATLAS O TRAINMAN® WAR EMERGENCY GONDOLA **NEW PAINT SCHEMES & NEW ROAD NUMBERS** ..... pgs.32-33

ATLAS O TRAINMAN® 40' SLIDING DOOR BOX CAR **NEW PAINT SCHEMES & NEW ROAD NUMBERS** ..... pgs.34-35

## **ATLAS O TRACK & ACCESSORIES**

ATLAS O PEDESTRIAN WALKWAY ..... pgs.36

ATLAS O TURNTABLE ..... pgs.37

ATLAS O TRACK, STRUCTURES & ACCESSORIES ..... pgs.38-39

**To Order, Please Contact Your Authorized Atlas Dealer**

*All prices are in US dollars. Prices and dates are subject to change without notice. Atlas reserves the right to correct errors, change prices and modify designs without notice. Any product pricing errors and updates may be corrected at any time through notification of distributors, dealers and consumers on our website: [shop.atlasrr.com](http://shop.atlasrr.com).*

© 2023 Atlas Model Railroad Co., Inc.



# PRE-ORDER ANNOUNCEMENTS - SPRING 2024

**GUARANTEED PRE-ORDER DUE DATE:  
WEDNESDAY MAY 22<sup>ND</sup> 2024**



## ATLAS O PREMIER P42 GENESIS LOCOMOTIVE

Product Info: <https://shop.atlasrr.com/d-716-100th-anniversary-catalog-2.aspx>



**NEW  
PAINT  
SCHEMES**



Amtrak - Phase VII  
Officially licensed by Amtrak®



**NJ TRANSIT**  
Products bearing NJ TRANSIT marks are made under a trademark license from NJ TRANSIT.



## PRE-ORDER ANNOUNCEMENTS - SPRING 2024

**GUARANTEED PRE-ORDER DUE DATE:  
WEDNESDAY MAY 22<sup>ND</sup> 2024**



### ATLAS O PREMIER P42 GENESIS LOCOMOTIVE

Product Info: <https://shop.atlasrr.com/d-716-100th-anniversary-catalog-2.aspx>



Metro North - Conrail Heritage



Metro North - MTA FL9 Commemorative



Metro North - New York Central Heritage

*The Metro North P42 Locomotive offerings are a great match for our previously announced Metro North O Scale Comet II Passenger Cars. For more information, visit: <https://shop.atlasrr.com/c-67-014.aspx>*





# PRE-ORDER ANNOUNCEMENTS - SPRING 2024

**GUARANTEED PRE-ORDER DUE DATE:  
WEDNESDAY MAY 22<sup>ND</sup> 2024**



## ATLAS O PREMIER P42 GENESIS LOCOMOTIVE

**Product Info:** <https://shop.atlasrr.com/d-716-100th-anniversary-catalog-2.aspx>

**ESTIMATED ARRIVAL: 4th Quarter 2024**

ORDER IN PIECES	3-RAIL ITEM	ROAD NAME	ROAD NUMBER	COLORS	MSRP / UNIT
<b>NEW PAINT SCHEMES</b>					
	30138324	Amtrak® P42 – Phase VII	82	Blue/Red/White	\$639.95
	30138325	Amtrak® P42 – Phase VII	174	Blue/Red/White	\$639.95
	30138326	Metro North - Conrail Heritage	201	Blue/Yellow	\$699.95
	30138327	Metro North - MTA FL9 Commemorative	208	Red/Blue/Silver	\$699.95
	30138328	Metro North - New York Central Heritage	211	Gray/White	\$699.95
	30138329	NJ TRANSIT	4800	Silver/Orange/Blue/Black	\$639.95
	30138330	NJ TRANSIT	4802	Silver/Orange/Blue/Black	\$639.95
	<b>TOTAL PIECES ORDERED</b>				

Amtrak's Genesis was the first newly designed American passenger diesel in nearly four decades. Beginning in 1993, it replaced Amtrak's fleet of EMD F40PH diesels, which were really modified freight engines — designed to be resellable in case Amtrak went out of business.

Amtrak's president at the time was Graham Claytor, a lover of trains who had previously headed the Southern Railway and been Secretary of the Navy. Cesar Vergara, a young industrial designer who was Amtrak's Manager of Car Design, asked Claytor for the chance to give the new engine a bold new look. The result was unlike anything else on American rails. It launched Vergara into a career of designing new passenger equipment for railroads across North America and around the world, from Talgo trains in the Pacific Northwest to the newest engines today in Boston area commuter service.

Unlike most diesels, whose structural strength comes from a heavy frame, the Genesis features monocoque construction, in which the body shell carries much of the load instead of just going along for the ride. This allows for a lighter frame, less weight overall, and greater fuel economy.

The Genesis is one-third more powerful than the F40PH it replaced, but burns 22% less fuel. Its height is also 14" shorter than its predecessor, allowing it to travel anywhere Amtrak goes, including the tunnels into Penn Station and Grand Central Station in New York. To make the body easy to fabricate and repair, Vergara used only flat surfaces and sections of cylinders and cones; there are no compound curves like those on the "bulldog" nose of older E-units and F-units. The Genesis name, intended to signify a break from past designs, was chosen in an employee contest at General Electric's Erie, PA plant, which built the locomotives. The design has won several awards, including a Brunel Award, which recognizes outstanding railway designs around the world, and a Presidential Design Award from the U.S. government. The look of the Genesis is not without its detractors, however. Trains magazine contributor Fred Frailey wrote that "the front of a P42 looks like an armored tank, those shallow windows the slits from which the weapons officer gains sight of targets."

There are actually three versions of the Genesis. The original 1993 version, model P40DC, has 4,000 horsepower and a 103 mph top speed. Under the hood it is basically a 16-cylinder General Electric Dash 8. Model P32AC, introduced in 1995, was designed specifically for service into New York City, where diesel power is prohibited in stations and approach tunnels under the Hudson River. The P32AC is equipped with retractable pickup shoes for drawing power from the electrified third rail into Grand Central and Penn Station.

The third version and the prototype for our Premier model is the P42DC, built from 1996-2001. Over 200 in number, this class of engines is the backbone of Amtrak service everywhere except the electrified Northeast Corridor. Compared with the earlier P40DC, the P42 features an improved engine uprated to 4200 hp, more modern electronics and cab displays, and a higher top speed of 110 mph.

**\*\* Prices are subject to change due to board availability/cost.**

Atlas Model Railroad Co., Inc. • 378 Florence Ave., Hillside, NJ 07205 • USA • ph: 908-687-0880 • fax: 908-687-8857 / 908-851-2550 • [shop.atlasrr.com](https://shop.atlasrr.com)



# PRE-ORDER ANNOUNCEMENTS - SPRING 2024

**GUARANTEED PRE-ORDER DUE DATE:  
WEDNESDAY MAY 22<sup>ND</sup> 2024**



## ATLAS O PREMIER P42 GENESIS LOCOMOTIVE

**Product Info:** <https://shop.atlasrr.com/d-716-100th-anniversary-catalog-2.aspx>

**ESTIMATED ARRIVAL: 4th Quarter 2024**

ORDER IN PIECES	2-RAIL ITEM	ROAD NAME	ROAD NUMBER	COLORS	MSRP/ UNIT
<b>NEW PAINT SCHEMES</b>					
	30138331	Amtrak® P42 – Phase VII	82	Blue/Red/White	\$649.95
	30138332	Amtrak® P42 – Phase VII	174	Blue/Red/White	\$649.95
	30138333	Metro North - Conrail Heritage	201	Blue/Yellow	\$709.95
	30138334	Metro North - MTA FL9 Commemorative	208	Red/Blue/Silver	\$709.95
	30138335	Metro North - New York Central Heritage	211	Gray/White	\$709.95
	30138336	NJ TRANSIT	4800	Silver/Orange/Blue/Black	\$649.95
	30138337	NJ TRANSIT	4802	Silver/Orange/Blue/Black	\$649.95
<b>TOTAL PIECES ORDERED</b>					

**Features:**

- Intricately Detailed, Durable ABS Body
- Die-Cast Truck Sides, Pilots and Fuel Tank
- Metal Chassis
- Metal Handrails and Horn
- Moveable Roof Fans
- Metal Body Side Grilles
- Detachable Snow Plow
- (2) Handpainted Engineer Cab Figures
- Authentic Paint Scheme
- Metal Wheels, Axles and Gears
- (2) Remote-Controlled Proto-Couplers
- O Scale Kadee-Compatible Coupler Mounting Pads
- Prototypical Rule 17 Lighting
- Directionally Controlled Constant Voltage LED Headlight
- Lighted LED Cab Interiors
- Illuminated LED Number Boards
- Lighted LED Front Marker Lights
- Operating LED Ditch Lights
- (2) Precision Flywheel-Equipped Motors
- Operating ProtoSmoke Diesel Exhaust
- Onboard DCC/DCS Decoder
- Locomotive Speed Control In Scale MPH Increments
- 1:48 Scale Proportions
- Proto-Scale 3-2 3-Rail/2-Rail Conversion Capable
- Proto-Sound 3.0 With The Digital Command System
- Featuring Passenger Station Proto-Effects
- Unit Measures: 18 1/2" x 2 1/2" x 3 3/4"
- Operates On 0-31 Curves (3-Rail)

\*\* Prices are subject to change due to board availability/cost.

Atlas Model Railroad Co., Inc. • 378 Florence Ave., Hillside, NJ 07205 • USA • ph: 908-687-0880 • fax: 908-687-8857 / 908-851-2550 • [shop.atlasrr.com](https://shop.atlasrr.com)



# PRE-ORDER ANNOUNCEMENTS - SPRING 2024

**GUARANTEED PRE-ORDER DUE DATE:  
WEDNESDAY MAY 22<sup>ND</sup> 2024**



## ATLAS O PREMIER STEAM 2-8-0 LOCOMOTIVE

Product Info: <https://shop.atlasrr.com/d-716-100th-anniversary-catalog-2.aspx>

**NEW  
ATLAS O  
MODEL**



Chicago & North Western



Boston & Maine



Western Maryland\*

*\*CSX Licensed Product*





## PRE-ORDER ANNOUNCEMENTS - SPRING 2024

**GUARANTEED PRE-ORDER DUE DATE:  
WEDNESDAY MAY 22<sup>ND</sup> 2024**



### ATLAS O PREMIER STEAM 2-8-0 LOCOMOTIVE

**Product Info:** <https://shop.atlasrr.com/d-716-100th-anniversary-catalog-2.aspx>

*Perfect match for our Trainman<sup>®</sup> 60' Passenger Cars  
featured on pages 12-21.*



Southern



Union Pacific



New York Central\*

*\*CSX Licensed Product*



# PRE-ORDER ANNOUNCEMENTS - SPRING 2024

**GUARANTEED PRE-ORDER DUE DATE:  
WEDNESDAY MAY 22<sup>ND</sup> 2024**



## ATLAS O PREMIER STEAM 2-8-0 LOCOMOTIVE

Product Info: <https://shop.atlasrr.com/d-716-100th-anniversary-catalog-2.aspx>

**ESTIMATED ARRIVAL: 4th Quarter 2024**

ORDER IN PIECES	3-RAIL ITEM	ROAD NAME	ROAD NUMBER	COLORS	MSRP / UNIT
<b>NEW ATLAS O MODEL</b>					
	30138300	Chicago & North Western Line	1800	Black/Graphite	\$799.95
	30138301	Chicago & North Western Line	1896	Black/Graphite	\$799.95
	30138302	Boston and Maine	2719	Black/Graphite	\$799.95
	30138303	Boston and Maine	2726	Black/Graphite	\$799.95
	30138304	Western Maryland*	754	Black/Graphite	\$799.95
	30138305	Western Maryland*	761	Black/Graphite	\$799.95
	30138306	Southern Railway	630	Black/Graphite	\$799.95
	30138307	Southern Railway	747	Black/Graphite	\$799.95
	30138308	Union Pacific	512	Black/Graphite	\$799.95
	30138309	Union Pacific	523	Black/Graphite	\$799.95
	30138310	New York Central*	960	Black/Graphite	\$799.95
	30138311	New York Central*	1009	Black/Graphite	\$799.95
		<b>TOTAL PIECES ORDERED</b>			

The 2-8-0 steam engine was first developed in 1864-1865 to provide power for heavy trains running at moderate speeds, especially on steep grades. Alexander Mitchell, the chief mechanic for the Lehigh and Maloney Railroad, an eastern Pennsylvania coal hauler, designed the original 2-8-0. The Pennsylvania Railroad (PRR) was the first to put the 2-8-0 type engine on the rails when they rebuilt a Baldwin flexible-beam engine to a 2-8-0 configuration. For more than forty years, the 2-8-0 Consolidation was America's standard freight locomotive, working hard on virtually every railroad.

Our model features a die-cast metal locomotive boiler and chassis and durable ABS tender, each 2-8-0 is equipped with the state-of-the-art Proto-Sound 3.0 system for an incredible operating experience. You'll be amazed at how slowly and smoothly she runs - up and down grades and around corners with or without a load. And when you see her smoke, with each puff timed to the revolutions of the drivers, you'll know that you've just obtained the best value in model railroading.



*Pre-production sample shown.*

*\*CSX Licensed Product*

*\*\* Prices are subject to change due to board availability/cost.*



# PRE-ORDER ANNOUNCEMENTS - SPRING 2024

**GUARANTEED PRE-ORDER DUE DATE:  
WEDNESDAY MAY 22<sup>ND</sup> 2024**



## ATLAS O PREMIER STEAM 2-8-0 LOCOMOTIVE

**Product Info:** <https://shop.atlasrr.com/d-716-100th-anniversary-catalog-2.aspx>

**ESTIMATED ARRIVAL: 4th Quarter 2024**

ORDER IN PIECES	2-RAIL ITEM	ROAD NAME	ROAD NUMBER	COLORS	MSRP / UNIT
<b>NEW ATLAS O MODEL</b>					
	30138312	Chicago & North Western Line	1800	Black/Graphite	\$799.95
	30138313	Chicago & North Western Line	1896	Black/Graphite	\$799.95
	30138314	Boston and Maine	2719	Black/Graphite	\$799.95
	30138315	Boston and Maine	2726	Black/Graphite	\$799.95
	30138316	Western Maryland*	754	Black/Graphite	\$799.95
	30138317	Western Maryland*	761	Black/Graphite	\$799.95
	30138318	Southern Railway	630	Black/Graphite	\$799.95
	30138319	Southern Railway	747	Black/Graphite	\$799.95
	30138320	Union Pacific	512	Black/Graphite	\$799.95
	30138321	Union Pacific	523	Black/Graphite	\$799.95
	30138322	New York Central*	960	Black/Graphite	\$799.95
	30138323	New York Central*	1009	Black/Graphite	\$799.95
<b>TOTAL PIECES ORDERED</b>					

**Features:**

- Die-Cast Boiler and Chassis
- Metal Wheels and Axles
- Precision Flywheel Equipped Motor
- Metal Handrails and Decorative Bell
- Decorative Metal Whistle
- Constant Voltage Headlight
- Die-Cast Truck Sides
- Remote Controlled Proto-Coupler
- Synchronized Puffing ProtoSmoke System
- Operating firebox flicker
- Colorful Paint Scheme
- Locomotive Speed Control In Scale MPH Increments
- Durable ABS Tender Body
- Wireless Drawbar
- Proto-Sound 3.0 With The Digital Command System Featuring: Passenger Station Proto-Effects
- Unit Measures: 19 1/4" x 2 1/2" x 3 3/4"
- Minimum diameter curve: 0-36 (3-Rail)
- Minimum radius curve: 36" (2-Rail)
- All new PCB DRAWING BAR design for connection between the engine and tender.
- Lost wax details on boiler body
- Improved Back tender ladder
- Gang plank with diamond plating between tender and engine-stamped brass material
- Boiler features: Headlight/Fire Box Light/Interior Cabin Light/Marker Front – All LEDs
- Tender contains: LED Taillight (Backlight)

*Perfect match for our Trainman<sup>®</sup> 60' Passenger Cars featured on pages 12-21.*

*\*CSX Licensed Product*

*\*\* Prices are subject to change due to board availability/cost.*



# PRE-ORDER ANNOUNCEMENTS - SPRING 2024

**GUARANTEED PRE-ORDER DUE DATE:  
WEDNESDAY MAY 22<sup>ND</sup> 2024**



## ATLAS O TRAINMAN® 60' PASSENGER CAR

NEW  
PAINT  
SCHEMES

Product Info: <https://shop.atlasrr.com/d-716-100th-anniversary-catalog-2.aspx>

NEW  
ROAD  
NUMBERS

### *Baggage Cars*



Boston & Maine



Chicago & North Western



New York Central\*



Santa Fe



Western Maryland\*

*\*CSX Licensed Product*



# PRE-ORDER ANNOUNCEMENTS - SPRING 2024

**GUARANTEED PRE-ORDER DUE DATE:  
WEDNESDAY MAY 22<sup>ND</sup> 2024**



## ATLAS O TRAINMAN® 60' PASSENGER CAR

**Product Info:** <https://shop.atlasrr.com/d-716-100th-anniversary-catalog-2.aspx>

### *Baggage Cars*

**ESTIMATED ARRIVAL: 4th Quarter 2024**

ORDER IN PIECES	3-RAIL ITEM	ROAD NAME	ROAD NUMBER	COLORS	MSRP/ UNIT
<b>NEW ROAD NUMBERS</b>					
	2001327	Boston & Maine	3210, 3213	Maroon/Black	\$114.95
	2001328	Chicago and North Western	8612, 8614	Green/Black/Gold	\$114.95
	2001329	New York Central*	7806, 7879	Green/Black	\$114.95
	2001330	Santa Fe	1922, 1931	Green/Black/Gold	\$114.95
<b>NEW PAINT SCHEMES</b>					
	2001331	Western Maryland*	135, 136	Green/Black/Gold	\$114.95
<b>TOTAL PIECES ORDERED</b>					

**ESTIMATED ARRIVAL: 4th Quarter 2024**

ORDER IN PIECES	2-RAIL ITEM	ROAD NAME	ROAD NUMBER	COLORS	MSRP/ UNIT
<b>NEW ROAD NUMBERS</b>					
	2001377	Boston & Maine	3210, 3213	Maroon/Black	\$119.95
	2001378	Chicago and North Western	8612, 8614	Green/Black/Gold	\$119.95
	2001379	New York Central*	7806, 7879	Green/Black	\$119.95
	2001380	Santa Fe	1922, 1931	Green/Black/Gold	\$119.95
<b>NEW PAINT SCHEMES</b>					
	2001381	Western Maryland*	135, 136	Green/Black/Gold	\$119.95
<b>TOTAL PIECES ORDERED</b>					

*Our Trainman 60' Passenger Cars are the perfect match for our Premier Steam 2-8-0 Locomotives featured on pages 8-11.*

*\*CSX Licensed Product*

Atlas Model Railroad Co., Inc. • 378 Florence Ave., Hillside, NJ 07205 • USA • ph: 908-687-0880 • fax: 908-687-8857 / 908-851-2550 • [shop.atlasrr.com](https://shop.atlasrr.com)



# PRE-ORDER ANNOUNCEMENTS - SPRING 2024

**GUARANTEED PRE-ORDER DUE DATE:  
WEDNESDAY MAY 22<sup>ND</sup> 2024**



## ATLAS O TRAINMAN® 60' PASSENGER CAR

**NEW  
ROAD  
NUMBERS**

Product Info: <https://shop.atlasrr.com/d-716-100th-anniversary-catalog-2.aspx>

### *RPO Cars*



Boston & Maine



Chicago and North Western



New York Central\*



Santa Fe



# PRE-ORDER ANNOUNCEMENTS - SPRING 2024

**GUARANTEED PRE-ORDER DUE DATE:  
WEDNESDAY MAY 22<sup>ND</sup> 2024**



## ATLAS O TRAINMAN® 60' PASSENGER CAR

Product Info: <https://shop.atlasrr.com/d-716-100th-anniversary-catalog-2.aspx>

### *RPO Cars*

**ESTIMATED ARRIVAL: 4th Quarter 2024**

ORDER IN PIECES	3-RAIL ITEM	ROAD NAME	ROAD NUMBER	COLORS	MSRP/ UNIT
<b>NEW ROAD NUMBERS</b>					
	2001427	Boston & Maine	3132, 3134	Maroon/Black	\$114.95
	2001428	Chicago and North Western	9416, 9430	Green/Black/Gold	\$114.95
	2001429	New York Central	4816, 4820	Green/Black	\$114.95
	2001430	Santa Fe	70, 74	Green/Black/Gold	\$114.95
<b>TOTAL PIECES ORDERED</b>					

**ESTIMATED ARRIVAL: 4th Quarter 2024**

ORDER IN PIECES	2-RAIL ITEM	ROAD NAME	ROAD NUMBER	COLORS	MSRP/ UNIT
<b>NEW ROAD NUMBERS</b>					
	2001477	Boston & Maine	3132, 3134	Maroon/Black	\$119.95
	2001478	Chicago and North Western	9416, 9430	Green/Black/Gold	\$119.95
	2001479	New York Central	4816, 4820	Green/Black	\$119.95
	2001480	Santa Fe	70, 74	Green/Black/Gold	\$119.95
<b>TOTAL PIECES ORDERED</b>					

*Our Trainman 60' Passenger Cars are the perfect match for our  
Premier Steam 2-8-0 Locomotives featured on pages 8-11.*

*\*CSX Licensed Product*

Atlas Model Railroad Co., Inc. • 378 Florence Ave., Hillside, NJ 07205 • USA • ph: 908-687-0880 • fax: 908-687-8857 / 908-851-2550 • [shop.atlasrr.com](http://shop.atlasrr.com)



# PRE-ORDER ANNOUNCEMENTS - SPRING 2024

**GUARANTEED PRE-ORDER DUE DATE:  
WEDNESDAY MAY 22<sup>ND</sup> 2024**



## ATLAS O TRAINMAN® 60' PASSENGER CAR

NEW  
PAINT  
SCHEMES

Product Info: <https://shop.atlasrr.com/d-716-100th-anniversary-catalog-2.aspx>

### Combine Cars

NEW  
ROAD  
NUMBERS



Boston & Maine



Chicago & North Western



New York Central\*



Santa Fe



Western Maryland\*

*\*CSX Licensed Product*





# PRE-ORDER ANNOUNCEMENTS - SPRING 2024

**GUARANTEED PRE-ORDER DUE DATE:  
WEDNESDAY MAY 22<sup>ND</sup> 2024**



## ATLAS O TRAINMAN® 60' PASSENGER CAR

**Product Info:** <https://shop.atlasrr.com/d-716-100th-anniversary-catalog-2.aspx>

### *Combine Cars*

**ESTIMATED ARRIVAL: 4th Quarter 2024**

ORDER IN PIECES	3-RAIL ITEM	ROAD NAME	ROAD NUMBER	COLORS	MSRP/ UNIT
<b>NEW ROAD NUMBERS</b>					
	2001234	Boston & Maine	3606, 3607	Maroon/Black	\$114.95
	2001235	Chicago and North Western	7423, 7426	Green/Black/Gold	\$114.95
	2001236	New York Central	163, 165	Green/Black	\$114.95
	2001237	Santa Fe	2544, 2545	Green/Black/Gold	\$114.95
<b>NEW PAINT SCHEMES</b>					
	2001238	Western Maryland	335, 336	Green/Black/Gold	\$114.95
<b>TOTAL PIECES ORDERED</b>					

**ESTIMATED ARRIVAL: 4th Quarter 2024**

ORDER IN PIECES	2-RAIL ITEM	ROAD NAME	ROAD NUMBER	COLORS	MSRP/ UNIT
<b>NEW ROAD NUMBERS</b>					
	2001284	Boston & Maine	3606, 3607	Maroon/Black	\$119.95
	2001285	Chicago and North Western	7423, 7426	Green/Black/Gold	\$119.95
	2001286	New York Central	163, 165	Green/Black	\$119.95
	2001287	Santa Fe	2544, 2545	Green/Black/Gold	\$119.95
<b>NEW PAINT SCHEMES</b>					
	2001288	Western Maryland	335, 336	Green/Black/Gold	\$119.95
<b>TOTAL PIECES ORDERED</b>					

*Our Trainman 60' Passenger Cars are the perfect match for our Premier Steam 2-8-0 Locomotives featured on pages 8-11.*

*\*CSX Licensed Product*

Atlas Model Railroad Co., Inc. • 378 Florence Ave., Hillside, NJ 07205 • USA • ph: 908-687-0880 • fax: 908-687-8857 / 908-851-2550 • [shop.atlasrr.com](https://shop.atlasrr.com)



# PRE-ORDER ANNOUNCEMENTS - SPRING 2024

**GUARANTEED PRE-ORDER DUE DATE:  
WEDNESDAY MAY 22<sup>ND</sup> 2024**



## ATLAS O TRAINMAN® 60' PASSENGER CAR

NEW  
PAINT  
SCHEMES

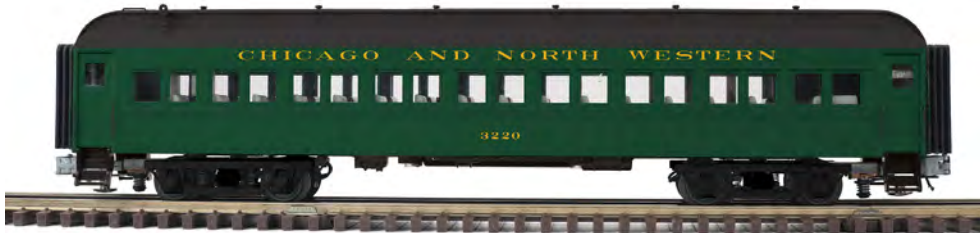
Product Info: <https://shop.atlasrr.com/d-716-100th-anniversary-catalog-2.aspx>

### *Coach Cars*

NEW  
ROAD  
NUMBERS



Boston & Maine



Chicago & North Western



Conway Scenic Railroad



New York Central\*



Santa Fe

\*CSX Licensed Product



# PRE-ORDER ANNOUNCEMENTS - SPRING 2024

**GUARANTEED PRE-ORDER DUE DATE:  
WEDNESDAY MAY 22<sup>ND</sup> 2024**



## ATLAS O TRAINMAN® 60' PASSENGER CAR

**Product Info:** <https://shop.atlasrr.com/d-716-100th-anniversary-catalog-2.aspx>

### Coach Cars

**ESTIMATED ARRIVAL: 4th Quarter 2024**

ORDER IN PIECES	3-RAIL ITEM	ROAD NAME	ROAD NUMBER	COLORS	MSRP/UNIT
<b>NEW ROAD NUMBERS</b>					
	2001147	Boston & Maine	4515, 4520, 4522, 4529	Maroon/Black	\$114.95
	2001148	Chicago and North Western	3220, 3227, 3231, 3235	Green/Black/Gold	\$114.95
<b>NEW PAINT SCHEMES</b>					
	2001149	Conway Scenic RR	1109, 1133, 1140, 1158	Red/Orange/Silver	\$114.95
<b>NEW ROAD NUMBERS</b>					
	2001239	New York Central	2148, 2157, 2161, 2179	Green/Black	\$114.95
	2001240	Santa Fe	3304, 3311, 3340, 3357	Green/Black/Gold	\$114.95
<b>NEW PAINT SCHEMES</b>					
	2001241	Western Maryland	832, 833, 834, 835	Green/Black/Gold	\$114.95
<b>TOTAL PIECES ORDERED</b>					

**ESTIMATED ARRIVAL: 4th Quarter 2024**

ORDER IN PIECES	2-RAIL ITEM	ROAD NAME	ROAD NUMBER	COLORS	MSRP/UNIT
<b>NEW ROAD NUMBERS</b>					
	2001197	Boston & Maine	4515, 4520, 4522, 4529	Maroon/Black	\$119.95
	2001198	Chicago and North Western	3220, 3227, 3231, 3235	Green/Black/Gold	\$119.95
<b>NEW PAINT SCHEMES</b>					
	2001199	Conway Scenic RR	1109, 1133, 1140, 1158	Red/Orange/Silver	\$119.95
<b>NEW ROAD NUMBERS</b>					
	2001289	New York Central	2148, 2157, 2161, 2179	Green/Black	\$119.95
	2001290	Santa Fe	3304, 3311, 3340, 3357	Green/Black/Gold	\$119.95
<b>NEW PAINT SCHEMES</b>					
	2001291	Western Maryland	832, 833, 834, 835	Green/Black/Gold	\$119.95
<b>TOTAL PIECES ORDERED</b>					



Western Maryland\*

\*CSX Licensed Product



# PRE-ORDER ANNOUNCEMENTS - SPRING 2024

**GUARANTEED PRE-ORDER DUE DATE:  
WEDNESDAY MAY 22<sup>ND</sup> 2024**



## ATLAS O TRAINMAN® 60' PASSENGER CAR

Back by  
Popular  
Demand

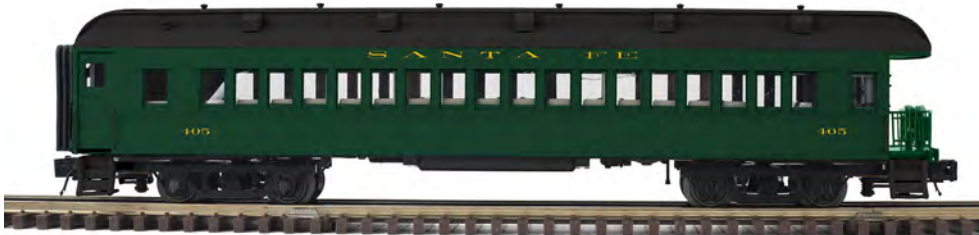
Product Info: <https://shop.atlasrr.com/d-716-100th-anniversary-catalog-2.aspx>

### Observation Cars

NEW  
ROAD  
NUMBERS



Chicago & North Western



Santa Fe



Western Maryland\*

In the early 20th century, the rapid adoption of all-steel construction for passenger cars dramatically improved the safety and comfort of rail travel. These “heavyweight” cars, as they came to be known, were far less likely to catch fire than their mostly wooden counterparts, could withstand greater structural stresses in general operation, and as a result quickly became the premier choice of the traveling public. In the years immediately preceding World War II, however, due to the development of longer, aluminum sheathed “modern” streamliners, many original steel heavyweight cars were either rebuilt and restyled to run with the new sleek name trains, or became relegated to branchline and commuter service, where they continued to serve for many decades. Many examples still survive today in operating tourist railroads and in railroad maintenance of way departments.

#### Features:

- Die-cast sprung trucks
- Full scale dimensions and details
- Separately-applied grab irons
- Interior LED lighting
- Separately-applied diaphragms
- Interior details
- Based upon C&NW prototypes
- Minimum diameter curve: 0-36 (3-Rail)
- Minimum radius curve: 36" (2-Rail)

*\*CSX Licensed Product*





# PRE-ORDER ANNOUNCEMENTS - SPRING 2024

**GUARANTEED PRE-ORDER DUE DATE:  
WEDNESDAY MAY 22<sup>ND</sup> 2024**



## ATLAS O TRAINMAN® 60' PASSENGER CAR

Product Info: <https://shop.atlasrr.com/d-716-100th-anniversary-catalog-2.aspx>

### Observation Cars

**ESTIMATED ARRIVAL: 4th Quarter 2024**

ORDER IN PIECES	3-RAIL ITEM	ROAD NAME	ROAD NUMBER	COLORS	MSRP / UNIT
<b>BACK BY POPULAR DEMAND</b>					
	2002722	Chicago and North Western	402, 403	Green/Black/Gold	\$119.95
<b>NEW ROAD NUMBERS</b>					
	2002723	Santa Fe	405, 406	Green/Black/Gold	\$119.95
	2002724	Western Maryland	203, 204	Green/Black/Gold	\$119.95
<b>TOTAL PIECES ORDERED</b>					

**ESTIMATED ARRIVAL: 4th Quarter 2024**

ORDER IN PIECES	2-RAIL ITEM	ROAD NAME	ROAD NUMBER	COLORS	MSRP / UNIT
<b>BACK BY POPULAR DEMAND</b>					
	2002772	Chicago and North Western	402, 403	Green/Black/Gold	\$124.95
<b>NEW ROAD NUMBERS</b>					
	2002773	Santa Fe	405, 406	Green/Black/Gold	\$124.95
	2002774	Western Maryland	203, 204	Green/Black/Gold	\$124.95
<b>TOTAL PIECES ORDERED</b>					

*\*CSX Licensed Product*

*Our Trainman 60' Passenger Cars are the perfect match for our Premier Steam 2-8-0 Locomotives featured on pages 8-11.*





# PRE-ORDER ANNOUNCEMENTS - SPRING 2024

**GUARANTEED PRE-ORDER DUE DATE:  
WEDNESDAY MAY 22<sup>ND</sup> 2024**



## ATLAS O TRAINMAN® GP15-1 LOCOMOTIVE

Product Info: <https://shop.atlasrr.com/d-716-100th-anniversary-catalog-2.aspx>

NEW  
PAINT  
SCHEMES

NEW  
ROAD  
NUMBERS



Conrail



GMTX



Missouri Pacific



York Rail



CSX\*



Norfolk Southern



Union Pacific "Baby Wings"

*\*CSX Licensed Product*



# PRE-ORDER ANNOUNCEMENTS - SPRING 2024

**GUARANTEED PRE-ORDER DUE DATE:  
WEDNESDAY MAY 22<sup>ND</sup> 2024**



## ATLAS O TRAINMAN® GP15-1 LOCOMOTIVE

**Product Info:** <https://shop.atlasrr.com/d-716-100th-anniversary-catalog-2.aspx>

During the 1970s many railroads were rebuilding their fleet of early locomotives such as their EMD GP7s and GP9s. EMD saw an opportunity to provide an alternative that alleviated the need for railroads to do their own rebuilding. In 1976 the GP15-1 was announced. EMD made use of major components from trade in locomotives to provide a cost-effective way to provide what was essentially a new locomotive at a much lower price. Missouri Pacific was the first railroad to purchase the GP15-1, and with subsequent purchases accumulated well over 100. Conrail was the next largest customer with 100 being added to their roster in 1976. Built from 1976 to 1982, many of the GP15-1s (and its variants such as the GP15T and GP15AC) remain in service today in yard or branchline duty.

**Features:**

- 1:48 Scale dimensions
  - Separately applied wire grab irons
  - Brass horn and bell details
  - Accurate painting and lettering
  - Directional LED lighting
  - Ditch lights (paint scheme dependent)
  - Operating Smoke Unit in DCS units
  - 2-Rail locos have fixed pilots and scale couplers
  - Minimum diameter curve: 0-31 (3-rail)
  - Minimum radius curve: 36" (2-rail)
- 2 & 3-Rail DCS Features:
- Proto-Sound 3.0 With the Digital Command System Featuring Freight Yard Proto-Effects
  - Locomotive Speed Control In Scale MPH Increments

*See Pages 24-25 for 2-Rail Analog and 2-Rail DCS offerings.*

**ESTIMATED ARRIVAL: 4th Quarter 2024**

ORDER IN PIECES	3-RAIL DCS ITEM	ROAD NAME	ROAD NUMBER	COLORS	MSRP / UNIT
<b>NEW ROAD NUMBERS</b>					
	20024012	Conrail	1634	Blue/White	\$479.95
	20024013	Conrail	1672	Blue/White	\$479.95
<b>NEW PAINT SCHEMES</b>					
	20024014	GMTX (with front & rear ditchlights)	425	Blue/White	\$499.95
	20024015	GMTX (with front & rear ditchlights)	427	Blue/White	\$499.95
<b>NEW ROAD NUMBERS</b>					
	20024016	Missouri Pacific	1646	Blue/White	\$479.95
	20024017	Missouri Pacific	1650	Blue/White	\$479.95
<b>NEW PAINT SCHEMES</b>					
	20024018	York Rail (with front & rear ditchlights)	1531	Orange/Black/Yellow	\$499.95
	20024019	York Rail (with front & rear ditchlights)	1532	Orange/Black/Yellow	\$499.95
	20024020	CSX* (with front & rear ditchlights)	1552	Gray/Blue/Yellow	\$499.95
	20024021	CSX* (with front & rear ditchlights)	1561	Gray/Blue/Yellow	\$499.95
	20024022	Norfolk Southern (with front & rear ditchlights)	1446	Black/White	\$499.95
	20024023	Norfolk Southern (with front & rear ditchlights)	1452	Black/White	\$499.95
	20024024	Union Pacific "Baby Wings" (with front & rear ditchlights)	Y644	Yellow/Gray/Red	\$499.95
	20024025	Union Pacific "Baby Wings" (with front & rear ditchlights)	Y733	Yellow/Gray/Red	\$499.95
<b>TOTAL PIECES ORDERED</b>					

*3-Rail DCS items are equipped with Proto-Sound 3.*

*\*CSX Licensed Product*

Atlas Model Railroad Co., Inc. • 378 Florence Ave., Hillside, NJ 07205 • USA • ph: 908-687-0880 • fax: 908-687-8857 / 908-851-2550 • [shop.atlasrr.com](http://shop.atlasrr.com)



# PRE-ORDER ANNOUNCEMENTS - SPRING 2024

**GUARANTEED PRE-ORDER DUE DATE:  
WEDNESDAY MAY 22<sup>ND</sup> 2024**



## ATLAS O TRAINMAN® GP15-1 LOCOMOTIVE

Product Info: <https://shop.atlasrr.com/d-716-100th-anniversary-catalog-2.aspx>

**ESTIMATED ARRIVAL: 4th Quarter 2024**

ORDER IN PIECES	2-RAIL DCS ITEM	ROAD NAME	ROAD NUMBER	COLORS	MSRP / UNIT
<b>NEW ROAD NUMBERS</b>					
	20024040	Conrail	1634	Blue/White	\$479.95
	20024041	Conrail	1672	Blue/White	\$479.95
<b>NEW PAINT SCHEMES</b>					
	20024042	GMTX (with front & rear ditchlights)	425	Blue/White	\$499.95
	20024043	GMTX (with front & rear ditchlights)	427	Blue/White	\$499.95
<b>NEW ROAD NUMBERS</b>					
	20024044	Missouri Pacific	1646	Blue/White	\$479.95
	20024045	Missouri Pacific	1650	Blue/White	\$479.95
<b>NEW PAINT SCHEMES</b>					
	20024046	York Rail (with front & rear ditchlights)	1531	Orange/Black/Yellow	\$499.95
	20024047	York Rail (with front & rear ditchlights)	1532	Orange/Black/Yellow	\$499.95
	20024048	CSX* (with front & rear ditchlights)	1552	Gray/Blue/Yellow	\$499.95
	20024049	CSX* (with front & rear ditchlights)	1561	Gray/Blue/Yellow	\$499.95
	20024050	Norfolk Southern (with front & rear ditchlights)	1446	Black/White	\$499.95
	20024051	Norfolk Southern (with front & rear ditchlights)	1452	Black/White	\$499.95
	20024052	Union Pacific "Baby Wings" (with front & rear ditchlights)	Y644	Yellow/Gray/Red	\$499.95
	20024053	Union Pacific "Baby Wings" (with front & rear ditchlights)	Y733	Yellow/Gray/Red	\$499.95
<b>TOTAL PIECES ORDERED</b>					

*1st Time Offered in 2-Rail DCS.  
DCS offerings are equipped with Proto-Sound 3.*



*\*CSX Licensed Product*

*\*\* Prices are subject to change due to board availability/cost.*

Atlas Model Railroad Co., Inc. • 378 Florence Ave., Hillside, NJ 07205 • USA • ph: 908-687-0880 • fax: 908-687-8857 / 908-851-2550 • [shop.atlasrr.com](http://shop.atlasrr.com)





# PRE-ORDER ANNOUNCEMENTS - SPRING 2024

**GUARANTEED PRE-ORDER DUE DATE:  
WEDNESDAY MAY 22<sup>ND</sup> 2024**



## ATLAS O TRAINMAN® GP15-1 LOCOMOTIVE

**Product Info:** <https://shop.atlasrr.com/d-716-100th-anniversary-catalog-2.aspx>

**ESTIMATED ARRIVAL: 4th Quarter 2024**

ORDER IN PIECES	2-RAIL ANALOG ITEM	ROAD NAME	ROAD NUMBER	COLORS	MSRP / UNIT
<b>NEW ROAD NUMBERS</b>					
	20024026	Conrail	1634	Blue/White	\$329.95
	20024027	Conrail	1672	Blue/White	\$329.95
<b>NEW PAINT SCHEMES</b>					
	20024028	GMTX (with front & rear ditchlights)	425	Blue/White	\$349.95
	20024029	GMTX (with front & rear ditchlights)	427	Blue/White	\$349.95
<b>NEW ROAD NUMBERS</b>					
	20024030	Missouri Pacific	1646	Blue/White	\$329.95
	20024031	Missouri Pacific	1650	Blue/White	\$329.95
<b>NEW PAINT SCHEMES</b>					
	20024032	York Rail (with front & rear ditchlights)	1531	Orange/Black/Yellow	\$349.95
	20024033	York Rail (with front & rear ditchlights)	1532	Orange/Black/Yellow	\$349.95
	20024034	CSX* (with front & rear ditchlights)	1552	Gray/Blue/Yellow	\$349.95
	20024035	CSX* (with front & rear ditchlights)	1561	Gray/Blue/Yellow	\$349.95
	20024036	Norfolk Southern (with front & rear ditchlights)	1446	Black/White	\$349.95
	20024037	Norfolk Southern (with front & rear ditchlights)	1452	Black/White	\$349.95
	20024038	Union Pacific "Baby Wings" (with front & rear ditchlights)	Y644	Yellow/Gray/Red	\$349.95
	20024039	Union Pacific "Baby Wings" (with front & rear ditchlights)	Y733	Yellow/Gray/Red	\$349.95
<b>TOTAL PIECES ORDERED</b>					

*See Pages 23-24 for photos, features and 3-Rail DCS DCS offerings.*

*\*CSX Licensed Product*

\*\* Prices are subject to change due to board availability/cost.

Atlas Model Railroad Co., Inc. • 378 Florence Ave., Hillside, NJ 07205 • USA • ph: 908-687-0880 • fax: 908-687-8857 / 908-851-2550 • [shop.atlasrr.com](https://shop.atlasrr.com)



# PRE-ORDER ANNOUNCEMENTS - SPRING 2024

**GUARANTEED PRE-ORDER DUE DATE:  
WEDNESDAY MAY 22<sup>ND</sup> 2024**



## ATLAS O PREMIER NORTHEAST CABOOSE

Product Info: <https://shop.atlasrr.com/d-716-100th-anniversary-catalog-2.aspx>

**NEW  
PAINT  
SCHEMES**



Boston & Maine



Chicago & North Western



New York Central\*



Southern (Savannah & Atlanta)



Union Pacific



Western Maryland\*

Atlas Model Railroad Co., Inc. • 378 Florence Ave., Hillside, NJ 07205 • USA • ph: 908-687-0880 • fax: 908-687-8857 / 908-851-2550 • [shop.atlasrr.com](http://shop.atlasrr.com)

\*CSX Licensed Product



# PRE-ORDER ANNOUNCEMENTS - SPRING 2024

**GUARANTEED PRE-ORDER DUE DATE:  
WEDNESDAY MAY 22<sup>ND</sup> 2024**



## ATLAS O PREMIER NORTHEAST CABOOSE

**Product Info:** <https://shop.atlasrr.com/d-716-100th-anniversary-catalog-2.aspx>

**ESTIMATED ARRIVAL: 4th Quarter 2024**

ORDER IN PIECES	3-RAIL ITEM	ROAD NAME	ROAD NUMBER	COLORS	MSRP / UNIT
<b>NEW PAINT SCHEMES</b>					
	3001688	Boston and Maine	C-21, C-33	Red/Black	\$89.95
	3001689	Chicago and North Western	10805, 10808	Red/Yellow	\$89.95
	3001690	New York Central*	242, 244	Brown/Black/White	\$89.95
	3001691	Southern (Savannah & Atlanta)	255, 256	White/Black	\$89.95
	3001692	Union Pacific	3797, 3799	Red/White	\$89.95
	3001693	Western Maryland*	1803, 1805	Red/Black/White	\$89.95
<b>TOTAL PIECES ORDERED</b>					

**ESTIMATED ARRIVAL: 4th Quarter 2024**

ORDER IN PIECES	2-RAIL ITEM	ROAD NAME	ROAD NUMBER	COLORS	MSRP / UNIT
<b>NEW PAINT SCHEMES</b>					
	3002688	Boston and Maine	C-21, C-33	Red/Black	\$94.95
	3002689	Chicago and North Western	10805, 10808	Red/Yellow	\$94.95
	3002690	New York Central*	242, 244	Brown/Black/White	\$94.95
	3002691	Southern (Savannah & Atlanta)	255, 256	White/Black	\$94.95
	3002692	Union Pacific	3797, 3799	Red/White	\$94.95
	3002693	Western Maryland*	1803, 1805	Red/Black/White	\$94.95
<b>TOTAL PIECES ORDERED</b>					

In 1924, the Reading Company produced an all-steel caboose, deriving its general design from the 1920 USRA wooden models. This iconic design, commonly called the "NorthEastern Caboose" by railfans, found wide acceptance by many railroads across the NorthEast and Mid-Atlantic region, with original owners including the Western Maryland (1936), Lehigh & New England (1937), Lehigh Valley (1939), Pittsburgh & West Virginia (1940), Central Railroad of New Jersey (1942), and Lehigh & Hudson River (1942). These cabooses had long lifetimes, serving through the 1980s across numerous railroads and traveling to many places outside of the NorthEast, and are one of the more common exhibits preserved in many railroad museums and operated by tourist railroads today.

**Features:**

- Detailed Car Interior with Overhead Lighting
- Die-Cast 4-Wheel Trucks with Metal Wheels and Axles
- Separate Metal Handrails
- Colorful, Attractive Paint Schemes
- 1:48 Scale Dimensions, O-31 Radius
- O Scale Kadee Compatible Coupler Mounting Pads
- Measures: 9 1/8" x 2 7/16" x 3 3/4"

*\*CSX Licensed Product*



# PRE-ORDER ANNOUNCEMENTS - SPRING 2024

**GUARANTEED PRE-ORDER DUE DATE:  
WEDNESDAY MAY 22<sup>ND</sup> 2024**



## ATLAS O PREMIER SNOW PLOW

**NEW  
PAINT  
SCHEMES**

Product Info: <https://shop.atlasrr.com/d-716-100th-anniversary-catalog-2.aspx>



Boston & Maine



Canadian Pacific



Chessie System (C&O)\*



Chicago & North Western



PanAm Railways



Pennsylvania



Rock Island

\*CSX Licensed Product



# PRE-ORDER ANNOUNCEMENTS - SPRING 2024

**GUARANTEED PRE-ORDER DUE DATE:  
WEDNESDAY MAY 22<sup>ND</sup> 2024**



## ATLAS O PREMIER SNOW PLOW

**Product Info:** <https://shop.atlasrr.com/d-716-100th-anniversary-catalog-2.aspx>

**ESTIMATED ARRIVAL: 4th Quarter 2024**

ORDER IN PIECES	3-RAIL ITEM	ROAD NAME	ROAD NUMBER	COLORS	MSRP/ UNIT
<b>NEW PAINT SCHEMES</b>					
	3001674	Boston & Maine	W3736, W3738	Blue/Black/White	\$89.95
	3001675	Canadian Pacific	400850, 400895	Black/Red	\$89.95
	3001676	Chessie System (C&O)	914021, 914023	Yellow/Blue	\$89.95
	3001677	Chicago & North Western	X262738, X262763	Yellow/Black	\$89.95
	3001678	PanAm Railways	77, 80	Black/Blue/White	\$89.95
	3001679	Pennsylvania	497787, 497788	Yellow/Black	\$89.95
	3001680	Rock Island	95358, 95366	Blue/Black/White	\$89.95
<b>TOTAL PIECES ORDERED</b>					

For railroads in much of the U.S. and Canada, dealing with snow is a perennial problem. The earliest railroad plows were likely derived from agricultural plows, and were the first instance of a plow being pushed from behind rather than pulled by horses or oxen. In 1840, little more than a decade after the first steam engine plied American rails, Charles Lowbaert was granted a patent for a wedge, or “bucker,” railroad plow. Like our model, that pioneering snowplow featured an inclined plane to bring the snow up off the rails and a pointed, triangular wedge to throw it to both sides of the track. Over time, railroad plows evolved into an arsenal of equipment ranging from engine-mounted blades to the ultimate snowfighting weapon, the rotary snow plow.

### Features:

- Metal Wheels and Axles
- Die-Cast 4-Wheel Trucks
- Operating Die-Cast Metal Couplers
- Colorful, Attractive Paint Schemes
- Fast-Angle Wheel Sets
- Needle-Point Axles
- 1:48 Scale Dimensions
- Stamped Metal Floors
- Separate Metal Handrails
- Operates On O-31 Curves (3-Rail)

*Available in 3-Rail Only.*



# PRE-ORDER ANNOUNCEMENTS - SPRING 2024

**GUARANTEED PRE-ORDER DUE DATE:  
WEDNESDAY MAY 22<sup>ND</sup> 2024**



## ATLAS MASTER® O 40' WOOD REEFER

**NEW  
PAINT  
SCHEMES**

Product Info: <https://shop.atlasrr.com/d-716-100th-anniversary-catalog-2.aspx>



Borden's Produce (BPDx)



Carnation Flaked Wheat (URTC)



Diercks & Sons Potatoes (NRCC)



Omaha Cold Storage (OCSX)



Pacific Cooperative Poultry (NRCC)



Puritan Malt (URTC)



South Iowa CoOp Creameries (GARX)



# PRE-ORDER ANNOUNCEMENTS - SPRING 2024

**GUARANTEED PRE-ORDER DUE DATE:  
WEDNESDAY MAY 22<sup>ND</sup> 2024**



## ATLAS MASTER® O 40' WOOD REEFER

**Product Info:** <https://shop.atlasrr.com/d-716-100th-anniversary-catalog-2.aspx>

**ESTIMATED ARRIVAL: 4th Quarter 2024**

ORDER IN PIECES	3-RAIL ITEM	ROAD NAME	ROAD NUMBER	COLORS	MSRP / UNIT
<b>NEW PAINT SCHEMES</b>					
	3001681	Borden's Produce Co. (BPDx)	84393, 84403	White/Brown/Red	\$92.95
	3001682	Carnation Flaked Wheat (URTC)	23090, 23092	Yellow/Brown/Red/White	\$92.95
	3001683	Diercks and Sons Potatoes (NRCC)	5100, 5105	Yellow/Black/Brown	\$92.95
	3001684	Omaha Cold Storage (OCSX)	85400, 85405	Yellow/Brown	\$92.95
	3001685	Pacific Cooperative Poultry (NRCC)	9015, 9019	Yellow/Brown	\$92.95
	3001686	Puritan Malt (URTC)	40816, 40818	Yellow/Black/Brown	\$92.95
	3001687	South Iowa CoOp Creameries (GARX)	90558, 90559	Orange/Red/Brown/Black	\$92.95
<b>TOTAL PIECES ORDERED</b>					

**ESTIMATED ARRIVAL: 4th Quarter 2024**

ORDER IN PIECES	2-RAIL ITEM	ROAD NAME	ROAD NUMBER	COLORS	MSRP / UNIT
<b>NEW PAINT SCHEMES</b>					
	3002681	Borden's Produce Co. (BPDx)	84393, 84403	White/Brown/Red	\$97.95
	3002682	Carnation Flaked Wheat (URTC)	23090, 23092	Yellow/Brown/Red/White	\$97.95
	3002683	Diercks and Sons Potatoes (NRCC)	5100, 5105	Yellow/Black/Brown	\$97.95
	3002684	Omaha Cold Storage (OCSX)	85400, 85405	Yellow/Brown	\$97.95
	3002685	Pacific Cooperative Poultry (NRCC)	9015, 9019	Yellow/Brown	\$97.95
	3002686	Puritan Malt (URTC)	40816, 40818	Yellow/Black/Brown	\$97.95
	3002687	South Iowa CoOp Creameries (GARX)	90558, 90559	Orange/Red/Brown/Black	\$97.95
<b>TOTAL PIECES ORDERED</b>					

This highly detailed model is based on the 40' wood refrigerator cars built by Pullman for the Northern Refrigerator Car Co. in 1930. With its rooftop ice hatches, USRA-style fish belly underframe and vertical brake shaft, it is representative of the thousands of similar cars that were built during the "Billboard" era of American railroads. Available in 2-rail as well as 3-rail, these ready-to-run reefers have state-of-the-art detailing and construction.

**Features:**

- Highly detailed ABS body
- Separately-applied ladders, grab irons and stirrups
- Die-cast metal stirrups
- Separately-applied door hinges, handles and latches
- Opening doors
- Separately-applied opening roof hatches, hinges and latches
- Die-cast underframe
- Separately applied brake system and vertical brake shaft
- Separately-applied coupler lift bars
- 40-ton Bettendorf-style, die-cast sprung trucks with metal wheels
- Die-cast articulated couplers (3-Rail)
- Minimum diameter curve: 0-31 (3-Rail)
- Minimum radius curve: 24" (2-Rail)
- 2-rail versions feature body-mounted scale knuckle couplers and scale 33" wheelsets.

***Our 40' Wood Reefers are the perfect complement to our Premier Steam 2-8-0 Locomotives featured on pages 8-11.***



# PRE-ORDER ANNOUNCEMENTS - SPRING 2024

**GUARANTEED PRE-ORDER DUE DATE:  
WEDNESDAY MAY 22<sup>ND</sup> 2024**



## ATLAS O TRAINMAN® 52'6" WAR EMERGENCY GONDOLA

Product Info: <https://shop.atlasrr.com/d-716-100th-anniversary-catalog-2.aspx>

**NEW  
PAINT SCHEMES &  
NEW ROAD  
NUMBERS**



Lehigh Valley



Chicago, Rock Island & Pacific



Reading



New York Central\*



Pennsylvania



Santa Fe

*\*CSX Licensed Product*





# PRE-ORDER ANNOUNCEMENTS - SPRING 2024

**GUARANTEED PRE-ORDER DUE DATE:  
WEDNESDAY MAY 22<sup>ND</sup> 2024**



## ATLAS O TRAINMAN® 52'6" WAR EMERGENCY GONDOLA

Product Info: <https://shop.atlasrr.com/d-716-100th-anniversary-catalog-2.aspx>

**ESTIMATED ARRIVAL: 4th Quarter 2024**

ORDER IN PIECES	3-RAIL ITEM	ROAD NAME	ROAD NUMBER	COLORS	MSRP/UNIT
<b>NEW PAINT SCHEMES</b>					
	2002806	Lehigh Valley	32667, 32723, 32765, 32819	Freight Car Red/White	\$59.95
	2002807	Chicago, Rock Island and Pacific	1071, 1138, 1176, 1224	Freight Car Red/White	\$59.95
	2002808	Reading	32139, 32264, 32417, 32828	Black/White	\$59.95
	2002809	New York Central*	711000, 711245, 711299, 711535	Freight Car Red/White	\$59.95
<b>NEW ROAD NUMBERS</b>					
	2002804	Pennsylvania	363170, 363188, 363196, 363211	PRR Freight Car Red/White	\$59.95
	2002805	Santa Fe	169523, 169541, 169607, 169682	Mineral Brown/White	\$59.95
	<b>TOTAL PIECES ORDERED</b>				

**ESTIMATED ARRIVAL: 4th Quarter 2024**

ORDER IN PIECES	2-RAIL ITEM	ROAD NAME	ROAD NUMBER	COLORS	MSRP/UNIT
<b>NEW PAINT SCHEMES</b>					
	2002856	Lehigh Valley	32667, 32723, 32765, 32819	Freight Car Red/White	\$62.95
	2002857	Chicago, Rock Island and Pacific	1071, 1138, 1176, 1224	Freight Car Red/White	\$62.95
	2002858	Reading	32139, 32264, 32417, 32828	Black/White	\$62.95
	2002859	New York Central*	711000, 711245, 711299, 711535	Freight Car Red/White	\$62.95
<b>NEW ROAD NUMBERS</b>					
	2002854	Pennsylvania	363170, 363188, 363196, 363211	PRR Freight Car Red/White	\$62.95
	2002855	Santa Fe	169523, 169541, 169607, 169682	Mineral Brown/White	\$62.95
	<b>TOTAL PIECES ORDERED</b>				

In the early 1940s, WWII was in full swing and materials were in short supply. This left the nation's railroads in a state of disarray, as many of the materials normally used for freight cars was redirected for wartime usage. The concept was to substitute wood for steel wherever possible. This resulted in cars having a half wood, half steel structure. The Atlas O 52'6" 70-Ton War Emergency Gondola captures the look and feel of the composite gondolas right down to the texture of the wood along the sides.

Features:

- Scaled from prototype blueprints
- Fully detailed Ajax brake system
- Separately applied brake wheel
- Movable drop ends
- Minimum diameter curve: 0-42 (3-Rail)

*Our War Emergency Gondolas are the perfect complement to our Premier Steam 2-8-0 Locomotives featured on pages 8-11.*

*\*CSX Licensed Product*

Atlas Model Railroad Co., Inc. • 378 Florence Ave., Hillside, NJ 07205 • USA • ph: 908-687-0880 • fax: 908-687-8857 / 908-851-2550 • [shop.atlasrr.com](http://shop.atlasrr.com)



# PRE-ORDER ANNOUNCEMENTS - SPRING 2024

**GUARANTEED PRE-ORDER DUE DATE:  
WEDNESDAY MAY 22<sup>ND</sup> 2024**



## ATLAS O TRAINMAN® 40' SLIDING DOOR BOX CAR - 8' DOOR

Product Info: <https://shop.atlasrr.com/d-716-100th-anniversary-catalog-2.aspx>

**NEW  
PAINT SCHEMES &  
NEW ROAD  
NUMBERS**



Baltimore & Ohio\*



Clinchfield



Elgin, Joliet & Eastern



Northampton & Bath



Maine Central



Santa Fe

\*CSX Licensed Product



# PRE-ORDER ANNOUNCEMENTS - SPRING 2024

**GUARANTEED PRE-ORDER DUE DATE:  
WEDNESDAY MAY 22<sup>ND</sup> 2024**



## ATLAS O TRAINMAN® 40' SLIDING DOOR BOX CAR - 8' DOOR

Product Info: <https://shop.atlasrr.com/d-716-100th-anniversary-catalog-2.aspx>

**ESTIMATED ARRIVAL: 4th Quarter 2024**

ORDER IN PIECES	3-RAIL ITEM	ROAD NAME	ROAD NUMBER	COLORS	MSRP / UNIT
<b>NEW ROAD NUMBERS</b>					
	2001242	Baltimore & Ohio*	466037, 466042	Blue/Silver/Yellow	\$69.95
<b>NEW PAINT SCHEMES</b>					
	2001243	Clinchfield	5587, 5592	Black/White/Yellow	\$69.95
	2001244	Elgin Joliet & Eastern	61273, 61355	Orange/Green	\$69.95
	2001245	Northampton and Bath	530, 559	Boxcar Red/White	\$69.95
	2001246	Maine Central	8679, 8693	Harvest Gold/Green	\$69.95
	2001247	Santa Fe	17689, 17726	Red/Black/White	\$69.95
<b>TOTAL PIECES ORDERED</b>					

**ESTIMATED ARRIVAL: 4th Quarter 2024**

ORDER IN PIECES	2-RAIL ITEM	ROAD NAME	ROAD NUMBER	COLORS	MSRP / UNIT
<b>NEW ROAD NUMBERS</b>					
	2001292	Baltimore & Ohio*	466037, 466042	Blue/Silver/Yellow	\$72.95
<b>NEW PAINT SCHEMES</b>					
	2001293	Clinchfield	5587, 5592	Black/White/Yellow	\$72.95
	2001294	Elgin Joliet & Eastern	61273, 61355	Orange/Green	\$72.95
	2001295	Northampton and Bath	530, 559	Boxcar Red/White	\$72.95
	2001296	Maine Central	8679, 8693	Harvest Gold/Green	\$72.95
	2001297	Santa Fe	17689, 17726	Red/Black/White	\$72.95
<b>TOTAL PIECES ORDERED</b>					

Based on a popular box car produced by ACF (American Car & Foundry) from the late 1940's through the mid-1950's, this model is representative of the thousands of similar cars that ran on virtually all North American rail lines. The 40' Sliding Door Box Car, considered an American tradition, was originally built to transport goods in the harsh weather found in various parts of the United States.

This car features such accurate details as the diagonal roof panels and improved dreadnaught ends characteristic of the prototype.

**Features:**

- Separately applied roof walks, ladder, brake wheel & brake lines
- Accurate painting & lettering
- See-through roof walks
- Metal couplers and sprung die-cast trucks
- True scale dimensions with accurate details
- Weighted, detailed underframes
- 2-rail cars feature scale wheels and body mounted scale couplers
- 3-rail trucks pre-drilled for Adjust-A-Coupler™ System (sold separately)
- Minimum diameter curve: 0-31 (3-Rail)
- Minimum radius curve: 24" (2-Rail)

*\*CSX Licensed Product*

Atlas Model Railroad Co., Inc. • 378 Florence Ave., Hillside, NJ 07205 • USA • ph: 908-687-0880 • fax: 908-687-8857 / 908-851-2550 • [shop.atlasrr.com](http://shop.atlasrr.com)



**ATLAS O LAYOUT ACCESSORIES**  
**GUARANTEED PRE-ORDERS IF PLACED BY WED. 5/15/2024**

**Product Info:** <https://shop.atlasrr.com/d-716-100th-anniversary-catalog-2.aspx>



Single Track Pedestrian Crosswalk - item #66917



Double Track Pedestrian Crosswalk - item #66918

*Now Offered in Black as well as Red, Green & Silver!*

**FEATURES**

- Easy to assemble in minutes
- Sturdy construction
- Fully decorated & painted
- Three color variations are offered

**DIMENSIONS**

- Height clearance from top of center rail to bottom of walkway span is 5.875 inches.
- The single track version measures: 11 5/8" x 13 3/8" x 7 7/8"
- Two track version measures: 6 1/8" x 13 3/8" x 7 7/8".
- Tracks should be on 4.50 inches center rail to center rail to fit into the double walkway.

**ESTIMATED ARRIVAL: 4th Quarter 2024**

ORDER IN PIECES	ITEM	DESCRIPTION	MSRP / UNIT
	66917-1	O Scale Single Track Pedestrian Crosswalk - Red	\$76.95
	66917-2	O Scale Single Track Pedestrian Crosswalk - Green	\$76.95
	66917-3	O Scale Single Track Pedestrian Crosswalk - Silver	\$76.95
	66917-4	O Scale Single Track Pedestrian Crosswalk - Black	\$76.95
	66918-1	O Scale Double Track Pedestrian Crosswalk - Red	\$87.95
	66918-2	O Scale Double Track Pedestrian Crosswalk - Green	\$87.95
	66918-3	O Scale Double Track Pedestrian Crosswalk - Silver	\$87.95
	66918-4	O Scale Double Track Pedestrian Crosswalk - Black	\$87.95
<b>TOTAL PIECES ORDERED</b>			



**TRACK & ACCESSORIES - AVAILABLE NOW!**



**ATLAS O TURNTABLE**  
**AVAILABLE FROM YOUR LOCAL HOBBY SHOP OR SHOP.ATLASRR.COM**

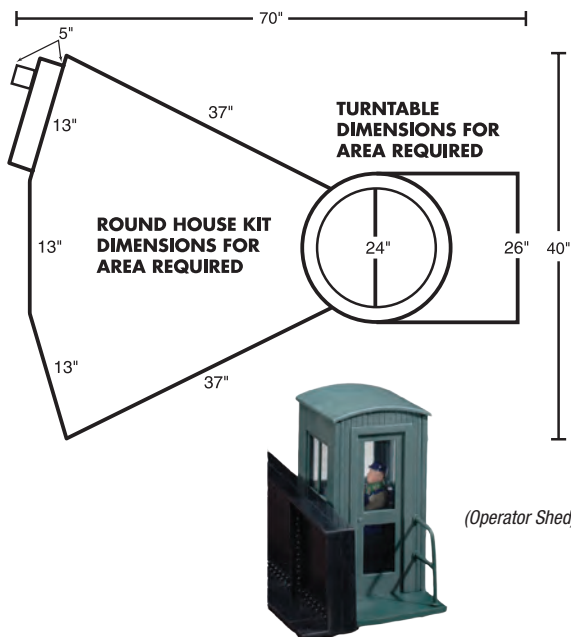
**Product Info:** <https://shop.atlasrr.com/p-53322-o-scale-turntable.aspx>

**O TURNTABLE** - In the steam era, many railroads used turntables to turn locomotives for their next journey. Railroads still use turntables to assist in the maintenance of diesel locomotives and rolling stock. Based on a Santa Fe prototype, Atlas O has realistically duplicated its above ground details, so adding a working turntable has never been simpler. What's more, everything is included for easy tabletop installation.



**FEATURES:**

- New - larger and more powerful motor
- New - flat cogged anti-slip belt
- New - deck support with more roller bearings for greater support of heavier locomotives
- New - redesigned metal contacts to power the rotating track
- Drive assembly is hidden under the utility shed
- Table diameter: 24"
- Proven Geneva-gearing for positive indexing
- Can be used for both 3 rail and 2 rail operation
- Will run on AC or DC power
- Compatible w/ TMCC & DCS (using TMCC or DCS accessory interface)
- Compatible with DCC (using a stationary decoder)
- Molded in appropriate colors
- Complete hook-up instructions
- Easy tabletop installation
- Motor Drive included in box for smooth and easy operation



**Item #6999**  
**Atlas O Turntable - Available Now!**



**TRACK & ACCESSORIES - AVAILABLE NOW!**



**ATLAS O SCALE TRACK & ACCESSORIES**  
**AVAILABLE FROM YOUR LOCAL HOBBY SHOP OR SHOP.ATLASRR.COM**

**Product Info:** <https://shop.atlasrr.com>

*Atlas is proud to offer a wide variety of track in both 2- and 3-Rail. Our track is time-tested and modeler approved and is crafted to be the MVP of your layout.*

*Modeled for Realism: The scale-sized plastic ties have a realistic wood grain, the tie plates have spikes, the rail joiners have authentic bolt detail and the center rail is blackened.*

*Versatility: Every track piece has been specially engineered to fit precisely together in an infinite variety of combinations without the need for custom cutting and fitting.*

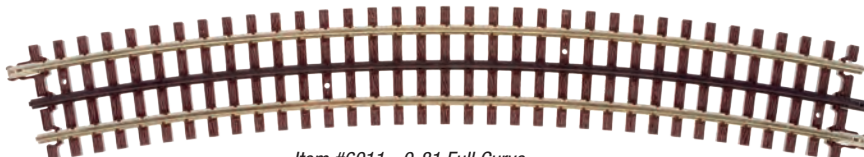
*Performance: We chose a SOLID nickel silver T-rail for extra stability and superior electrical conductivity. In addition, the wide, flat surface of the rails provides far greater wheel/rail contact and better traction than tubular track. What's more, solid rails absorb sound better than tubular track so you can enjoy the sounds of your locomotive.*

**3-RAIL FEATURES:**

- SOLID nickel silver rail for realistic shape, sounds and rust prevention
- Super joiners for tight fit and superior electrical connection
- Large and growing list of track: 10 different diameters (O-27- O-108), 16 different switches, 6 crossings, all the straight pieces you could ever want, flex track and more!
- Geometrically exact layout construction
- UV compatible: great for both indoor and outdoor use



Item #6094 - Track Screws



Item #6011 - 0-81 Full Curve



**2-RAIL FEATURES:**

- Code 148 Solid Nickel Silver Rail
- American prototype ties and tie spacing with correct spike, and tie plate and bolt details
- Dark brown tie strip
- Turnouts feature highly detailed metal insulated frogs and points
- Metal frog can be powered if desired
- UV compatible: great for both indoor and outdoor use



Item #7081 - 45° Crossing



Item #7090  
Terminal Joiners (1 pair)

Item #7056 - 2-Rail  
40" Flex-Track® with  
Simulated Wood Ties



Item #7050 - 10" Straight



**TRACK & ACCESSORIES - AVAILABLE NOW!**



**ATLAS O SCALE TRACK & ACCESSORIES**  
**AVAILABLE FROM YOUR LOCAL HOBBY SHOP OR SHOP.ATLASRR.COM**

**Product Info:** <https://shop.atlasrr.com>

*Atlas also offers a growing selection of structures, layout accessories and signals for layouts of all sizes. No matter the era or level of detail you choose for your layout, you can be sure that Atlas has the perfect accessories to complete your model empire!*



Item #6907 - Jack's Lumber Company Kit



Item #66912 - Wilson's Gas n Go Structure Kit



Item #6920 - Single Track  
Pratt Truss Bridge Kit (3-Rail)



Item #66915 -  
Single Traffic Signal



Item #6917  
Wheeler's Auto Dealer Kit



Item #6909  
Fairview Farm  
Dairy Kit



Item #6916  
Steel Water Tower Kit



Item #6948 - Operating Crossing Gate - Black/White  
Item #6949 - Operating Crossing Gate - Red/White



## 2024 GOLDEN SPIKE CLUB MEMBERSHIP

<https://shop.atlasrr.com/c-1000-ogsc.aspx>

***Become a Member of Atlas O's Golden Spike Club! Don't Delay  
Join Today – Memberships for 2024 are Available Now!***

***Sign-up online or download your application today at: [shop.atlasrr.com/c-100-ogscx.htm](https://shop.atlasrr.com/c-100-ogscx.htm) For more information on membership, or to join, please contact Patricia Kimble, Golden Spike Club Coordinator at 908-687-0880 ext. 7122, or via email [pkimble@atlasrr.com](mailto:pkimble@atlasrr.com)***

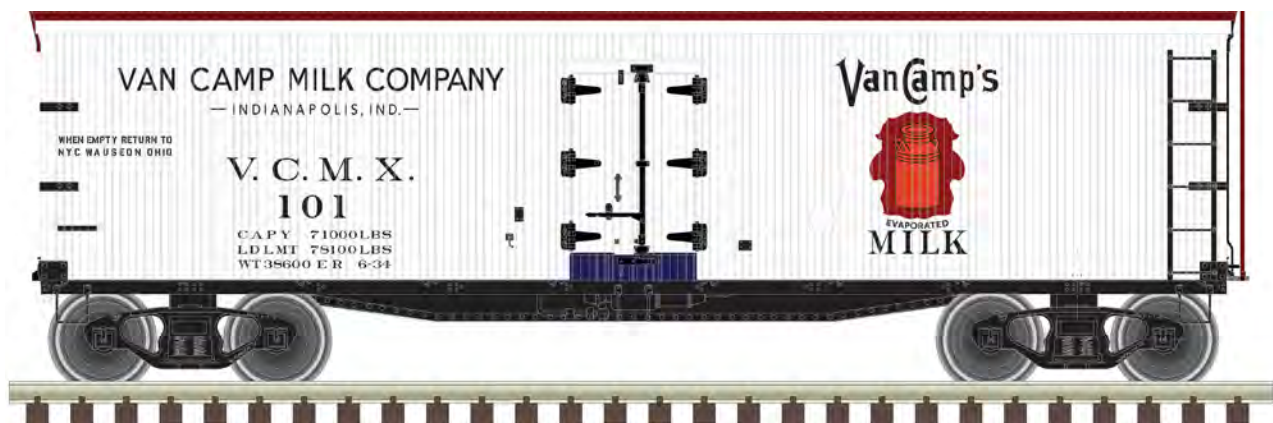
### THE BENEFITS

Club benefits for all members in all levels include:

- **Laminated membership card:** with member's name and number: The membership card features artwork that changes from year to year, highlighting the annual club car on its front.
- **Club lapel pin (New members only):** Wear it and let your friends know that you're a member of the Atlas Golden Spike Club with this pin, handsomely crafted and sporting the colorful logo.
- **Opportunity to Purchase "Members Only" Annual Club Car:** As a club member you will have the option to purchase exclusive members only annual club car(s).
- **Discounted Pricing on Club Offers:** As a club member, you will have the opportunity to purchase premium Atlas products at special Golden Spike Club pricing.
- **Insider Club News:** Get the inside scoop on the latest club offerings and the stories behind them, as well as other special offers and more mailed/e-mailed directly to you!
- **FREE Ground Shipping:** For any regular on-line orders shipped within the continental US.

## 2024 ANNUAL CLUB CARS ATLAS MASTER® O 40' WOOD REEFER

\*available with deluxe memberships



Van Camp's Milk Co. #101

Keep an eye out for GSC 2024 Special Offers! Information coming soon!