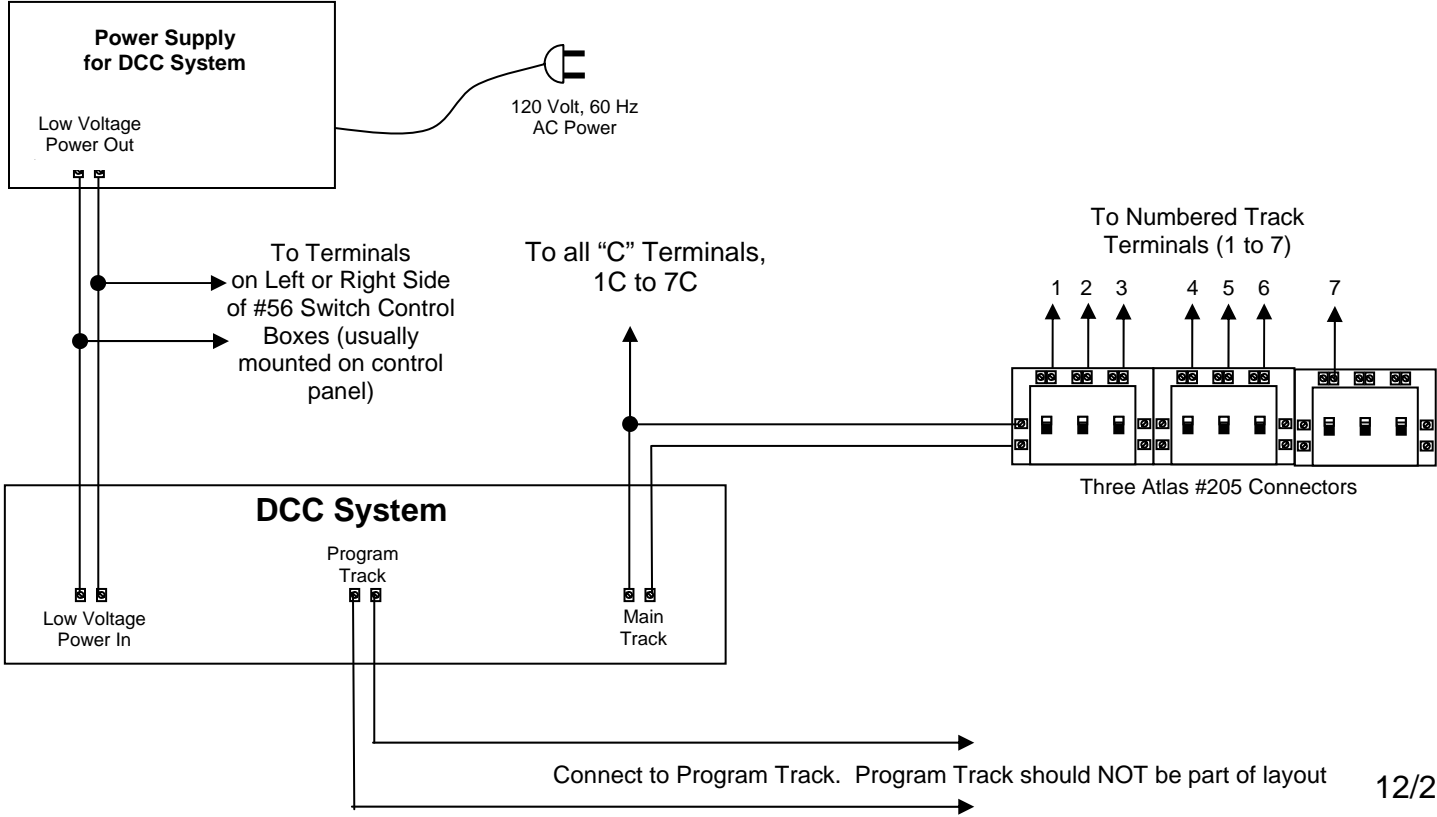


Basic DCC Wiring for Atlas Layout HO-4



Connect to Program Track. Program Track should NOT be part of layout

12/20/2010